

Pipe & Fittings

BUSHINGS BLK

<u>Line Abbrev</u>	<u>Part Number</u>	MAS-Pro Oilfield Supply <u>DESCRIPTION</u>
FSF	B3/4X1/2BM	BUSHING 3/4" X 1/2" BLACK MAL
FTG	B1X1/4B	BUSHING 1" X 1/4" BLK
MSC	B1X1/2B	BUSHING 1" X 1/2" BLK
FTG	B1X3/4B	BUSHING 1" X 3/4" BLK
FSF	B1-1/2X1/2BM	BUSHING 1-1/2" X 1/2" BLACK MAL
FSF	B1-1/2X1B	BUSHING 1-1/2" X 1" BLK
FSF	B1-1/2X1-1/4B	BUSHING 1-1/2" X 1-1/4" BLK
FSF	B2X1B	BUSHING 2" X 1" BLK
FSF	B2X1-1/4B	BUSHING 2" X 1-1/4" BLK
FSF	B2X1-1/2B	BUSHING 2" X 1-1/2" BLK
FSF	B2-1/2X1-1/2B	BUSHING 2-1/2" X 1-1/2" BLK
FSF	B2-1/2X2B	BUSHING 2-1/2" X 2" BLK
FSF	B3X1B	BUSHING 3" X 1" BLK
FSF	B3X2B	BUSHING 3" X 2" BLK
FSF	B3X2-1/2B	BUSHING 3" X 2-1/2" BLK
FSF	B4X2B	BUSHING 4" X 2" BLK
FSF	B4X3B	BUSHING 4" X 3" BLK
FSF	B6X4B	BUSHING 6" X 4" BLK

BUSHINGS BRASS & STAINLESS STEEL

<u>Line Abbrev</u>	<u>Part Number</u>	MAS-Pro Oilfield Supply <u>DESCRIPTION</u>
MSC	B1 X1/2 B	BUSHING 1" X 1/2" BRASS
STL	B3/8X1/215K	BUSHING 3/8" MALE X 1/2" FEMALE SS#15
FSF	B1/2X1/410K	BUSHING 1/2" X 1/4" 10000#
FSF	B1/2X3/8SS	BUSHING 1/2" X 3/8" SS
FSF	B1/2X3/8SS15K	BUSHING 1/2" X 3/8" SS 15000#
FSF	B3/4X1/2SS	BUSHING 3/4" X 1/2" SS
FSF	B1-1/4X1/2316SS	BUSHING 1-1/4" X 1/2" 316SS
FTG	R1-1/4X1	REDUCER 1-1/4" X 1" F X F
FSF	B1-1/2X1-1/4SS	BUSHING 1-1/2" X 1-1/4" STAINLESS ST

MAS-Pro Oilfield Supply, Division of 1223492 Alberta LTD.
 Red Deer - 4841-78st, T4P 15N, 403-341-5959
 GP/Clairmont - #101, 6902-98st, T8X 5A1, 780-832-9899
 Website : www.mas-prosupply.com

BUSHINGS FORGED STEEL

<u>Line Abbrev</u>	<u>Part Number</u>	<u>MAS-Pro Oilfield Supply DESCRIPTION</u>
FTG	B1/4X1/8	F.S BUSHING 1/4" X 1/8" A105
FTG	B3/8X1/8	F.S BUSHING 3/8" X 1/8" A105
FTG	B3/8 X1/4	F.S BUSHING 3/8" X 1/4" A105
FSF	B1/2X1/8	F.S BUSHING 1/2" X 1/8" A105
FSF	B1/2X1/4	F.S BUSHING 1/2" X 1/4" A105
FSF	B1/2X3/8	F.S BUSHING 1/2" X 3/8" A105
FSF	B3/4 X1/4	F.S BUSHING 3/4" X 1/4"
FSF	B3/4X3/8	F.S BUSHING 3/4" X 3/8"
FSF	B3/4X1/2	F.S BUSHING 3/4" X 1/2"
FTG	B1 X1/4	F.S BUSHING 1" X 1/4" A105
FTG	B1 X3/4	F.S BUSHING 1" X 3/4" A105
FTG	B1X3/8	F.S BUSHING 1" X 3/8" A105
FSF	B1-1/4X1/2	F.S BUSHING 1-1/4" X 1/2"
FSF	B1-1/4X3/4	F.S BUSHING 1-1/4" X 3/4"
FSF	B1-1/4X1	F.S BUSHING 1-1/4" X 1"
FSF	B112X14	F.S BUSHING 1-1/2" X 1/4" A105
FSF	B1-1/2X3/8	F.S BUSHING 1-1/2" X 3/8" A105
FSF	B1-1/2X1/2	F.S BUSHING 1-1/2" X 1/2" A105
FSF	B1-1/2X3/4	F.S BUSHING 1-1/2" X 3/4" A105
FSF	B1-1/2X1	F.S BUSHING 1-1/2" X 1" A105
FSF	B1-1/2X1-1/4	F.S BUSHING 1-1/2" X 1-1/4" A105
FSF	B2X1/4	F.S BUSHING 2" X 1/4"
FSF	B2 X3/8	F.S BUSHING 2" X 3/8"
FSF	B2X1/2	F.S BUSHING 2" X 1/2"
FSF	B2X3/4	F.S BUSHING 2" X 3/4"
FSF	B2X1	F.S BUSHING 2" X 1"
FSF	B2X1-1/4	F.S BUSHING 2" X 1-1/4"
FSF	B2X1-1/2	F.S BUSHING 2" X 1-1/2"
FSF	B3X1/2	F.S BUSHING 3" X 1/2"
FSF	B3X3/4	F.S BUSHING 3" X 3/4"
FSF	B3X1	F.S BUSHING 3" X 1"
FSF	B3X23K	F.S BUSHING 3" X 2"
FSF	B4X1-1/2	F.S BUSHING 4" X 1-1/2"
FSF	B4X2	F.S BUSHING 4" X 2"
FSF	B4X3FS	F.S BUSHING 4" X 3"

MAS-Pro Oilfield Supply, Division of 1223492 Alberta LTD.
Red Deer - 4841-78st, T4P 1S1N, 403-341-5959
GP/Clairmont - #101, 6902-98st, T8X 5A1, 780-832-9899
Website : www.mas-prosupply.com

CAM-LOCK FITTINGS/ SEALS 3/4"

<u>Line Abbrev</u>	<u>Part Number</u>	<u>MAS-Pro Oilfield Supply DESCRIPTION</u>
FTG	CL3/4DCB	CAM-LOCK 3/4" DUST CAP BRASS
FTG	CL3/4DPB	CAM-LOCK 3/4" DUST PLUG BRASS
GAS	CL34S	CAM-LOCK 3/4" SEAL



Part A
Male Adaptor
Female Thread



Part B
Female Coupler
Male Thread



Part C
Female Coupler
Hose Shank



Part D
Female Coupler
Female Thread



Part E
Male Adaptor
Hose Shank



Part F
Male Adaptor
Male Thread



Dust Caps
For Use
With Adaptors



Dust Plugs
For Use
With Coupler

CAM-LOCK FITTINGS/ SEALS 1"

<u>Line Abbrev</u>	<u>Part Number</u>	<u>MAS-Pro Oilfield Supply DESCRIPTION</u>
FTG	CL1DC	CAM-LOCK 1" DUST CAP
FTG	CL1F	CAM-LOCK 1" FEMALE
FTG	CL1FB	CAM-LOCK 1" FEMALE BRASS
FTG	D100BR	CAM-LOCK 1" FEMALE BRASS LOCKING EAR GOODYEAR
FTG	CL1FXB	CAM-LOCK 1" FEMALE X BARB
FTG	CL1M	CAM-LOCK 1" MALE
FTG	CL1MB	CAM-LOCK 1" MALE BRASS
FTG	A100BR	CAM-LOCK 1" MALE BRASS GOOD YEAR
FTG	CL1MXB	CAM-LOCK 1" MALE X BARB
FTG	CL1MM	CAM-LOCK 1" MALE X MNPT #10F-ALUM
FTG	CL1DPB	100-DP-BR 1 BRASS CAM-LOCK DUST PLUG
FTG	CL1S	CAM-LOCK 1" SEAL

CAM-LOCK FITTINGS/ SEALS 1-1/2"

<u>Line Abbrev</u>	<u>Part Number</u>	<u>MAS-Pro Oilfield Supply DESCRIPTION</u>
FTG	CL1-1/2F	CAM-LOCK 1-1/2" FEMALE
FTG	CL1-1/2M	CAM-LOCK 1-1/2" MALE
FTG	CL1-1/2S	CAM-LOCK 1-1/2" SEAL

MAS-Pro Oilfield Supply, Division of 1223492 Alberta LTD.
 Red Deer - 4841-78st, T4P 1S9, 403-341-5959
 GP/Clairmont - #101, 6902-98st, T8X 5A1, 780-832-9899
 Website : www.mas-prosupply.com

CAM-LOCK FITTINGS/ SEALS 2"

<u>Line Abbrev</u>	<u>Part Number</u>	<u>MAS-Pro Oilfield Supply DESCRIPTION</u>
FTG	CL2F	CAM-LOCK 2" FEMALE #20D-ALUM
FTG	CL2FB	CAM-LOCK 2" FEMALE BRASS
FTG	CL2FBLEG	CAM-LOCK 2" FEMALE BRASS LOCKING EAR GOODYEAR
FTG	CL2FLEG	CAM-LOCK 2" FEMALE LOCKING EAR GOODYEAR
FTG	CL2FXB	CAM-LOCK 2" FEMALE X BARB #EAGEAAL200C
FTG	CL2M	CAM-LOCK 2" MALE #20A-ALUM
FTG	CL2MB	CAM-LOCK 2" MALE BRASS
FTG	CL2MBLEG	CAM-LOCK 2" MALE LOCKING EAR GOODYEAR
FTG	CL2MXB	CAM-LOCK 2" MALE X BARB #EAAL200E
FTG	CL2MM	CAM-LOCK 2" MALE X MALE NPT
FTG	CL2 MXMAL	CAM-LOCK 2" MXM CAMXTHREAD ALUMINUM
HOS	CLP2M	CAM-LOCK 2" PLUG MALE
FTG	CL2S	CAM-LOCK 2" SEAL

CAM-LOCK FITTINGS/ SEALS 3"

<u>Line Abbrev</u>	<u>Part Number</u>	<u>MAS-Pro Oilfield Supply DESCRIPTION</u>
FTG	CL3DC	CAM-LOCK 3" DUST CAP #30DC
FTG	CL3DP	CAM-LOCK 3" DUST PLUG #30DP
FTG	CL3F	CAM-LOCK 3" FEMALE #30D-ALUM
FTG	CL3FB	CAM-LOCK 3" FEMALE BRASS
FTG	CL3FSL	CAM-LOCK 3" FEMALE SAFETY LOCK(SLEEVE) #SL3
FTG	D300SS	CAM-LOCK 3" FEMALE SS
FTG	CL3FXB	CAM-LOCK 3" FEMALE X BARB #EAGEAAL300C
FTG	CL3FXF	CAM-LOCK 3" FEMALE X FEMALE #300-DDAL
FTG	CL3FXM	CAM-LOCK 3" FEMALE X MALE NPT#EAAL300B
FTG	CL3M	CAM-LOCK 3" MALE #30A-ALUM
FTG	CL3MB	CAM-LOCK 3" MALE BRASS
FTG	G300ASS	CAM-LOCK 3" MALE SS
FTG	CL3MXB	CAM-LOCK 3" MALE X BARB 30E
FTG	CL3MXM	CAM-LOCK 3" MALE X MALE #AL300-300AA
HOS	CLP3F	CAM-LOCK 3" PLUG FEMALE #EAAL200DC
HOS	CLP3M	CAM-LOCK 3" PLUG MALE #EAAL-300DP
GAS	CLG3	CAM-LOCK 3" SEAL
BAN	303B200A	3" F CAM-LOCK X 2" M CAM-LOCK POLY BANJO
BAN	300B	3" F CAM-LOCK X MNPT POLY BANJO
BAN	300F200F	3" M CAM-LOCK X 2" M CAM-LOCK POLY BANJO
BAN	300FF	3" M CAM-LOCK X 3" M CAM-LOCK POLY BANJO
BAN	300F	3" M CAM-LOCK X MNPT POLYBANJO

MAS-Pro Oilfield Supply, Division of 1223492 Alberta LTD.
Red Deer - 4841-78st, T4P 1S9, 403-341-5959
GP/Clairmont - #101, 6902-98st, T8X 5A1, 780-832-9899
Website : www.mas-prosupply.com

CAM-LOCK FITTINGS/ SEALS 4"

<u>Line Abbrev</u>	<u>Part Number</u>	<u>MAS-Pro Oilfield Supply DESCRIPTION</u>
FTG	CL4DC	CAM-LOCK 4" DUST CAP #40DC
FTG	CL4DP	CAM-LOCK 4" DUST PLUG #40DP
FTG	CL4F	CAM-LOCK 4" FEMALE #40D-ALUM
FTG	CL4FB	CAM-LOCK 4" FEMALE BRASS
FTG	CL4FLE	CAM-LOCK 4" FEMALE LOCKING EAR DIXON #AD400EZ
FTG	CL4FLEG	CAM-LOCK 4" FEMALE LOCKING EAR GOODYEAR
FTG	CL4FX3F	CAM-LOCK 4" FEMALE X 3" FEMALE
FTG	CL4FX3MA	CAM-LOCK 4" FEMALE X 3" MALE ADAPTER
FTG	CL4FXB	CAM-LOCK 4" FEMALE X BARB #40C
FTG	CL4FXF	CAM-LOCK 4" FEMALE X FEMALE #40D
FTG	CL4FXM	CAM-LOCK 4" FEMALE X MNPT #40B
GAS	CLG4	CAM-LOCK GASKET 4"
FTG	CL4MAXB	CAM-LOCK 4" MALE ADAPTER X BARB #40E
FTG	CL4MAXFSS	CAM-LOCK 4" MALE ADAPTER X FNPT SS#G400-A-SS
FTG	CL4MAXM	CAM-LOCK 4" MALE ADAPTER X MNPT #40F
FTG	CL4MB	CAM-LOCK 4" MALE BRASS
FTG	CL4M	CAM-LOCK 4" MALE DIXON #40A-ALUM
FTG	CL4MD	CAM-LOCK 4" MALE DIXON #40A-ALUM-B
FTG	CL4MX3F	CAM-LOCK 4" MALE X 3" FEMALE
HOS	CLP4F	CAM-LOCK 4" PLUG FEMALE
HOS	CLP4M	CAM-LOCK 4" PLUG MALE
HOS	CLP4MB	CAM-LOCK 4" PLUG MALE BRASS
FTG	CL4S	CAM-LOCK 4" SEAL

CAM-LOCK FITTINGS/ SEALS/ SPECIALITY 5"/6"/8"

<u>Line Abbrev</u>	<u>Part Number</u>	<u>MAS-Pro Oilfield Supply DESCRIPTION</u>
FTG	CL5DC	CAM-LOCK 5" DUST CAP
GAS	CLG5	CAM-LOCK 5" SEAL
FTG	CL6DP	CAM-LOCK 6" DUST PLUG
HOS	D600ALGY	CAM-LOCK 6" FEMALE X FNPT ALUMINUM GOOD YEAR
HOS	A600ALGY	CAM-LOCK 6" MALE X FNPT ALUMINUM GOOD YEAR
MS3	CL8S	CAM-LOCK 8" SEAL
FTG	CARMP	CAMLOCK ARM AND PIN

MAS-Pro Oilfield Supply, Division of 1223492 Alberta LTD.
 Red Deer - 4841-78st, T4P 1S9, 403-341-5959
 GP/Clairmont - #101, 6902-98st, T8X 5A1, 780-832-9899
 Website : www.mas-prosupply.com

CAPS BLK

<u>Line Abbrev</u>	<u>Part Number</u>	<u>MAS-Pro Oilfield Supply DESCRIPTION</u>
FTG	C1BLK	CAP 1" BLACKMAL
FTG	C2B	CAP 2" BLACKMAL
FTG	C3B	CAP 3" BLACKMAL
FTG	CAP4B	CAP 4" BLACKMAL

CAPS CARBON & STAINLESS STEEL/ MISC

<u>Line Abbrev</u>	<u>Part Number</u>	<u>MAS-Pro Oilfield Supply DESCRIPTION</u>
STL	CCA4-CS	CS 1/4" CAP
STL	CCA6-CS	CS 3/8" CAP
FTG	C3/8SS	CAP 3/8" SS
FTG	CAP1/2-CS	CAP 1/2" 3M CS
FTG	C1/2SS	CAP 1/2" SS
FTG	CAP3/4-CS	CAP 3/4" 3M CS
FTG	CAP13K304SS	CAP 1" 3000# A182 304SS
FTG	PCAP2	POLY CAP 2"
FTG	PC3MI	PIPE CAP 3" MI
FTG	CAPV460	CAP VICTRAULIC 4" #60

3000# CAPS FORGED STEEL

<u>Line Abbrev</u>	<u>Part Number</u>	<u>MAS-Pro Oilfield Supply DESCRIPTION</u>
FTG	FSC1/4	F.S CAP 1/4"
FTG	FSC1/2	F.S CAP 1/2"
FTG	FSC3/4	F.S CAP 3/4"
FTG	FSC1	F.S CAP 1"
FTG	FSC1-1/2	F.S CAP 1-1/2"
FTG	PC23	PIPE CAP 2" 3000#
FTG	FSC3	F.S CAP 3"
MS3	C43K	CAP 4" 3000#

6000# CAPS FORGED STEEL

<u>Line Abbrev</u>	<u>Part Number</u>	<u>MAS-Pro Oilfield Supply DESCRIPTION</u>
FTG	FSC26K	F.S CAP 2" 6000#

MAS-Pro Oilfield Supply, Division of 1223492 Alberta LTD.
Red Deer - 4841-78st, T4P 15N, 403-341-5959
GP/Clairmont - #101, 6902-98st, T8X 5A1, 780-832-9899
Website : www.mas-prosupply.com

CLAMPS PIPE FIG 212

<u>Line Abbrev</u>	<u>Part Number</u>	<u>MAS-Pro Oilfield Supply DESCRIPTION</u>
MSC	PC1/2	PIPE CLAMP 1/2" (2 BOLT STYLE)
FTG	PC1	PIPE CLAMP 1" (2 BOLT STYLE) FIG 212
FTG	PC1-1/4	PIPE CLAMP 1-1/4" (2 BOLT STYLE) FIG 212
FTG	PC2	PIPE CLAMP 2" (2 BOLT STYLE) FIG 212
FTG	PC2-1/2	PIPE CLAMP 2-1/2" (2 BOLT STYLE) FIG 212
FTG	PC3	PIPE CLAMP 3" (2 BOLT STYLE) FIG 212
FTG	PC3-1/2 212	PIPE CLAMP 3-1/2" FIG 212
FTG	PC4	PIPE CLAMP 4" (2 BOLT STYLE) FIG 212
FTG	PC6	PIPE CLAMP 6" (2 BOLT STYLE) FIG 212
FTG	PC6 3/4	PIPE CLAMP 6" (2 BOLT STYLE) FIG 212 3/4" WIDE
FTG	PC8	PIPE CLAMP 8" (2 BOLT STYLE) FIG 212
FTG	PC8 3/4	PIPE CLAMP 8" (2 BOLT STYLE) FIG 212 3/4" WIDE
MSC	PC10	PIPE CLAMP 10"
MSC	PC10	PIPE CLAMP 10" (2 BOLT STYLE) FIG 212
FTG	PC10 3/4	PIPE CLAMP 10" (2 BOLT STYLE) FIG 212 3/4" WIDE
FTG	PC12 3/4	PIPE CLAMP 12" (2 BOLT STYLE) FIG 212 3/4 WIDE
MSC	PC12	PIPE CLAMP 12" (2 BOLT STYLE) FIG 212
HYD	PC14	PIPE CLAMP 14" (2 BOLT STYLE) FIG 212
FTG	GC16	16" FIG 212 GRINNEL CLAMP



CLAMPS PIPE FIG 216

<u>Line Abbrev</u>	<u>Part Number</u>	<u>MAS-Pro Oilfield Supply DESCRIPTION</u>
FTG	PC2 216	PIPE CLAMP 2" FIG 216
FTG	PC3 216	PIPE CLAMP 3" FIG 216
FTG	PC4 216	PIPE CLAMP 4" FIG 216
FTG	PC7 216	PIPE CLAMP 7" FIG 216

CLAMPS PIPE SPECIALITY

<u>Line Abbrev</u>	<u>Part Number</u>	<u>MAS-Pro Oilfield Supply DESCRIPTION</u>
GAS	VCLAMP5	V-CLAMP 5"
GAS	VC6	VICTAULIC CLAMP 6"
GAS	VC8	VICTAULIC CLAMP 8"

MAS-Pro Oilfield Supply, Division of 1223492 Alberta LTD.
 Red Deer - 4841-78st, T4P 15N, 403-341-5959
 GP/Clairmont - #101, 6902-98st, T8X 5A1, 780-832-9899
 Website : www.mas-prosupply.com

COUPLINGS BLK

<u>Line Abbrev</u>	<u>Part Number</u>	<u>MAS-Pro Oilfield Supply DESCRIPTION</u>
FTG	C3/4BM	COUPLING 3/4" BLACK MAL
FTG	CP1 BLK	COUPLING 1" BLACKMAL
FTG	C1-1/4B	COUPLING 1-1/4" BLACKMAL
FTG	C2C	COUPLING 2" BLACKMAL
FTG	C3C	COUPLING 3" BLACKMAL
FTG	C4B	COUPLING 4" BLACKMAL

3000# COUPLINGS FORGED STEEL

<u>Line Abbrev</u>	<u>Part Number</u>	<u>MAS-Pro Oilfield Supply DESCRIPTION</u>
FTG	C1/83K	COUPLING 1/8" 3000# A105
FTG	C1/43K	COUPLING 1/4" 3000# A105
FTG	C3/83K	COUPLING 3/8" 3000# A105
FTG	C1/23K	COUPLING 1/2" 3000# A105
FTG	C3/43K	COUPLING 3/4" 3000# A105
FTG	C13K	COUPLING 1" 3000# A105
FTG	C1-1/42K	COUPLING 1-1/4" 3000#
FTG	C1-1/22K	COUPLING 1-1/2" 2000#
FTG	C1-1/23K	COUPLING 1-1/2" 3000#
FTG	C23K	COUPLING 2" 3000# A105
FTG	C33K	COUPLING 3" 3000# A105
FTG	C14K	COUPLING 4" 3000# A105

6000# COUPLINGS FORGED STEEL

<u>Line Abbrev</u>	<u>Part Number</u>	<u>MAS-Pro Oilfield Supply DESCRIPTION</u>
FTG	COUP1/26K	COUPLING 1/2" 6000# A105
FTG	C16K	COUPLING 1" 6000# A105
FTG	C1-1/26KT	COUPLING 1-1/2" 6000#
FTG	C26K	COUPLING 2" 6000# A105

MAS-Pro Oilfield Supply, Division of 1223492 Alberta LTD.
Red Deer - 4841-78st, T4P 1S9, 403-341-5959
GP/Clairmont - #101, 6902-98st, T8X 5A1, 780-832-9899
Website : www.mas-prosupply.com

3000# SOCKET WELD COUPLINGS FORGED STEEL

<u>Line Abbrev</u>	<u>Part Number</u>	<u>MAS-Pro Oilfield Supply DESCRIPTION</u>
FTG	C1/23KSW	COUPLING 1/2" 3000# SW
FTG	C13KSW	COUPLING 1" 3000# SW

3000# HALF COUPLINGS FORGED STEEL

<u>Line Abbrev</u>	<u>Part Number</u>	<u>MAS-Pro Oilfield Supply DESCRIPTION</u>
FTG	C1/23KH	COUPLING 1/2" 3000# HALF
FTG	C3/43KH	COUPLING 3/4" 3000# HALF
FTG	C13KH	COUPLING 1" 3000# HALF
FTG	C23KH	COUPLING 2" 3000# HALF

COUPLINGS SPECIALITY

<u>Line Abbrev</u>	<u>Part Number</u>	<u>MAS-Pro Oilfield Supply DESCRIPTION</u>
STL	HSSA12N-316	SS 3/4" NPT HEX COUPLING
STL	HSSA16N-S316	SS 1" NPT HEX COUPLING
FTG	C8JEM	COUPLING #8JEM
FTG	C2RS	COUPLING 2" ROUGHT STEEL

MAS-Pro Oilfield Supply, Division of 1223492 Alberta LTD.
Red Deer - 4841-78st, T4P 15N, 403-341-5959
GP/Clairmont - #101, 6902-98st, T8X 5A1, 780-832-9899
Website : www.mas-prosupply.com

COUPLINGS GASKETS / SEALS VICTUALIC

<u>Line Abbrev</u>	<u>Part Number</u>	<u>MAS-Pro Oilfield Supply DESCRIPTION</u>
GAS	VS1-1/2	VIC SEAL 1-1/2"
GAS	02-VGASKET	COUPLING 2" GASKET #7001 C&C
GAS	G7000T2	COUPLING 2" GASKET #7001 GRUVLOK
GAS	VS2	VIC SEAL 2"
GAS	G3VIC	GASKET 3" VICTAULIC
GAS	03-VGASKET	COUPLING 3" GASKET #7001 C&C
GAS	G7000T3	COUPLING 3" GASKET #7001 GRUVLOK
FTG	4TGSKT	GASKET 4" T VICTAULIC
GAS	04-VGASKET	COUPLING 4" GASKET #7001 C&C
GAS	G7000T4	COUPLING 4" GASKET #7001 GRUVLOK
GAS	VS4	VIC SEAL 4"
FTG	06-VGASKET	COUPLING 6" GASKET #7001 C&C
FTG	G7000T6	COUPLING 6" GASKET #7001 GRUVLOK
FTG	08-VGASKET	COUPLING 8" GASKET #7001 C&C
FTG	G7000T8	COUPLING 8" GASKET #7001 GRUVLOK
GAS	10-VGASKET	COUPLING 10" GASKET #7001 C&C
GAS	7001PT4	COUPLING 4" #7001 GRUVLOK
FTG	04-CG-77	COUPLING 4" STYLE 77
GAS	VG6	VICTAULIC GASKET 6"
FTG	C67001B5	COUPLING 6" #7001 BOLT 5" LONG
FTG	7001PT6	COUPLING 6" #7001 GRUVLOK
FTG	C6V7001	COUPLING VICTAULIC 6" #7001
FTG	7001PT8	COUPLING 8" #7001 GRUVLOK
FTG	C8V7001	COUPLING VICTAULIC 8" #7001
GAS	VS8	VIC SEAL 8"
GAS	10-CG-77	COUPLING 10" #7001 C&C
FTG	C10V7001	COUPLING VICTAULIC 10" #7001
GAS	VG10	VICTAULIC GASKET 10"
GAS	VS10	VIC SEAL 10"
FTG	CVIC3	COUPLING VIC BOLT 3-1/2" X 3"

MAS-Pro Oilfield Supply, Division of 1223492 Alberta LTD.
Red Deer - 4841-78st, T4P 1S9, 403-341-5959
GP/Clairmont - #101, 6902-98st, T8X 5A1, 780-832-9899
Website : www.mas-prosupply.com

CROSSES BLK

<u>Line Abbrev</u>	<u>Part Number</u>	<u>MAS-Pro Oilfield Supply DESCRIPTION</u>
FTG	CR3/4BLK	CROSS 3/4" BLACK MAL
FTG	CR1BLK	CROSS 1" BLACK MAL
FTG	CR2B	CROSS 2" BLACKMAL
C&C	CR4BLK	CROSS 4" BLACK MAL

2000# CROSSES FORGED STEEL

<u>Line Abbrev</u>	<u>Part Number</u>	<u>MAS-Pro Oilfield Supply DESCRIPTION</u>
FTG	CR1/42K	CROSS 1/4" 2000#
FTG	CR1/22K	CROSS 1/2" 2000#
FTG	CR3/42K	CROSS 3/4" 2000#
FTG	CR12K	CROSS 1" 2000#
FTG	CROSS22K	CROSS 2" 2000# THREADED
FTG	C32KA106	CROSS 3" 2000# THREADED A106

3000# CROSSES FORGED STEEL

<u>Line Abbrev</u>	<u>Part Number</u>	<u>MAS-Pro Oilfield Supply DESCRIPTION</u>
FTG	CR1/43K	CROSS 1/4" 3000#
FTG	CR1/23K	CROSS 1/2" 3000#
FTG	CR3/43K	CROSS 3/4" 3000#
FTG	CR13K	CROSS 1" 3000#
FTG	CROSS23K	CROSS 2" 3000# THREADED
FTG	CR4FST	CROSS 4" 3000# A105N THREADED

6000# CROSSES FORGED STEEL

<u>Line Abbrev</u>	<u>Part Number</u>	<u>MAS-Pro Oilfield Supply DESCRIPTION</u>
FTG	C1/46K	CROSS 1/4" 6000#
FTG	C1/26K	CROSS 1/2" 6000#
FTG	CR16K	CROSS 1" 6000#
FTG	CROSS26K	CROSS 2" 6000# THREADED

CROSSES SPECIALITY

<u>Line Abbrev</u>	<u>Part Number</u>	<u>MAS-Pro Oilfield Supply DESCRIPTION</u>
C&C	HSXA8N-S316	CROSS 1/2" SS
C&C	CR4V35	CROSS VICTAULIC 4" #35

MAS-Pro Oilfield Supply, Division of 1223492 Alberta LTD.
Red Deer - 4841-78st, T4P 1S9, 403-341-5959
GP/Clairmont - #101, 6902-98st, T8X 5A1, 780-832-9899
Website : www.mas-prosupply.com

45 DEG ELBOWS BLK

<u>Line Abbrev</u>	<u>Part Number</u>	<u>MAS-Pro Oilfield Supply DESCRIPTION</u>
FTG	E2B45	ELBOW 2" BLACKMAL 45 DEG
FTG	E3B45	ELBOW 3" BLACKMAL 45 DEG
FTG	E445BLK	ELBOW 4" BLACKMAL 45 DEG

90 DEG ELBOWS BLK

<u>Line Abbrev</u>	<u>Part Number</u>	<u>MAS-Pro Oilfield Supply DESCRIPTION</u>
FTG	E3/4BM	ELBOW 3/4" BLACKMAL 90 DEG
FTG	E145B	ELBOW 1" BLACKMAL 90 DEG
FTG	E1B	ELBOW 1" BLACKMAL 90 DEG
FTG	E1-1/4B	ELBOW 1-1/4" BLACKMAL 90 DEG
FTG	E1-1/2B	ELBOW 1-1/2" BLACKMAL 90 DEG
FTG	E2B	ELBOW 2" BLACKMAL 90 DEG
FTG	E3B	ELBOW 3" BLACKMAL 90 DEG
FTG	E4B	ELBOW 4" BLACKMAL 90 DEG

45 DEG STREET ELBOWS BLK

<u>Line Abbrev</u>	<u>Part Number</u>	<u>MAS-Pro Oilfield Supply DESCRIPTION</u>
FTG	E1SBMS45	ELBOW 1" BLACKMAL 45 DEG STREET
FTG	E3B45S	ELBOW 3" BLACKMAL 45 DEG STREET

90 DEG STREET ELBOWS BLK

<u>Line Abbrev</u>	<u>Part Number</u>	<u>MAS-Pro Oilfield Supply DESCRIPTION</u>
FTG	E3/8BS	ELBOW 3/8" BLACKMAL STREET
FTG	E1/2BS	ELBOW 1/2" BLACKMAL STREET
FTG	E3/4SBM	ELBOW 3/4" BLACKMAL 90 DEG STREET
FTG	E1BS	ELBOW 1" BLACKMAL 90 DEG STREET
FTG	E1-1/4BS	ELBOW 1-1/4" BLACKMAL 90 DEG STREET
FTG	E2BS	ELBOW 2" BLACKMAL 90 DEG STREET
FTG	E3BS	ELBOW 3" BLACKMAL 90 DEG STREET
FTG	E4BS	ELBOW 4" BLACKMAL STREET

MAS-Pro Oilfield Supply, Division of 1223492 Alberta LTD.
 Red Deer - 4841-78st, T4P 1S9, 403-341-5959
 GP/Clairmont - #101, 6902-98st, T8X 5A1, 780-832-9899
 Website : www.mas-prosupply.com

45 DEG ELBOWS FORGED STEEL 2000#

<u>Line Abbrev</u>	<u>Part Number</u>	<u>MAS-Pro Oilfield Supply DESCRIPTION</u>
FTG	E1/82K45	ELBOW 1/8" 2000# 45 DEG
FTG	E1/42K45	ELBOW 1/4" 2000# 45 DEG
FTG	E3/82K45	ELBOW 3/8" 2000# 45 DEG
FTG	E1/22K45	ELBOW 1/2" 2000# 45 DEG
FTG	E13/42K45	ELBOW 3/4" 2000# 45 DEG
FTG	E12K45	ELBOW 1" 2000# 45 DEG
FTG	E1-1/42K45	ELBOW 1-1/4" 2000# 45 DEG
FTG	E1-1/22K45	ELBOW 1-1/2" 2000# 45 DEG
FTG	E22K45	ELBOW 2" 2000# 45 DEG
FTG	E32K45	ELBOW 3" 2000# 45 DEG
FTG	E42K45	ELBOW 4" 2000# 45 DEG

90 DEG ELBOWS FORGED STEEL 2000#

<u>Line Abbrev</u>	<u>Part Number</u>	<u>MAS-Pro Oilfield Supply DESCRIPTION</u>
FTG	E1/82K	ELBOW 1/8 "2000# 90 DEG
FTG	E1/42K	ELBOW 1/4" 2000# 90 DEG
FTG	E3/82K	ELBOW 3/8" 2000# 90 DEG
FTG	E1/22K	ELBOW 1/2" 2000# 90 DEG
FTG	E3/42K	ELBOW 3/4" 2000# 90 DEG
FTG	E12K	ELBOW 1" 2000# 90 DEG
FTG	E1-1/42K	ELBOW 1-1/4" 2000# 90 DEG
FTG	E1-1/22K	ELBOW 1-1/2" 2000# 90 DEG
FTG	E22K	ELBOW 2" 2000# 90 DEG
FTG	E32K	ELBOW 3" 2000# 90 DEG
STL	E42K	ELBOW 4" 2000# 90 DEG

90 DEG ELBOWS FORGED STEEL 2000#

<u>Line Abbrev</u>	<u>Part Number</u>	<u>MAS-Pro Oilfield Supply DESCRIPTION</u>
FTG	E1/42KS	ELBOW 1/4" 2000# 90 DEG STREET A105
FTG	E3/82KS	ELBOW 3/8" 2000# 90 DEG STREET A105
FTG	E1/22KS	ELBOW 1/2" 2000# 90 DEG STREET A105
FTG	E3/42KS	ELBOW 3/4" 2000# 90 DEG STREET A105
FTG	E12KS	ELBOW 1" 2000# 90 DEG STREET A105
FTG	ES2	ELBOW STREET 2"

MAS-Pro Oilfield Supply, Division of 1223492 Alberta LTD.
 Red Deer - 4841-78st, T4P 15N, 403-341-5959
 GP/Clairmont - #101, 6902-98st, T8X 5A1, 780-832-9899
 Website : www.mas-prosupply.com

45 DEG ELBOWS FORGED STEEL 3000#

<u>Line Abbrev</u>	<u>Part Number</u>	<u>MAS-Pro Oilfield Supply DESCRIPTION</u>
FTG	E1/43K45	ELBOW 1/4" 3000# 45 DEG
FTG	E3/83K45	ELBOW 3/8" 3000# 45 DEG
FTG	E1/23K45	ELBOW 1/2" 3000# 45 DEG
FTG	E13/43K45	ELBOW 3/4" 3000# 45 DEG
FTG	E13K45	ELBOW 1" 3000# 45 DEG
FTG	E1143K45	ELBOW 1-1/4" #3000 45 DEG
FTG	E23K45	ELBOW 2" 3000# 45 DEG
FTG	E43K45	ELBOW 4" 3000# 45 DEG

90 DEG ELBOWS FORGED STEEL 3000#

<u>Line Abbrev</u>	<u>Part Number</u>	<u>MAS-Pro Oilfield Supply DESCRIPTION</u>
FTG	E1/83K	ELBOW 1/8" 3000# 90 DEG
FTG	E1/43K	ELBOW 1/4" 3000# 90 DEG
FTG	E3/83K	ELBOW 3/8" 3000# 90 DEG
STL	E1/23K	ELBOW 1/2" 3000# 90 DEG
FTG	E3/43K	ELBOW 3/4" 3000# 90 DEG
FTG	E13K	ELBOW 1" 3000# 90 DEG
FTG	E1-1/43K	ELBOW 1-1/4" 3000# 90 DEG
FTG	E1-1/23K	ELBOW 1-1/2" 3000# 90 DEG
FTG	E23K	ELBOW 2" 3000# 90 DEG
FTG	E33K	ELBOW 3" 3000# 90 DEG

90 DEG SOCKET WELD ELBOWS FORGED STEEL 3000#

<u>Line Abbrev</u>	<u>Part Number</u>	<u>MAS-Pro Oilfield Supply DESCRIPTION</u>
FTG	E1/23KSW	ELBOW 1/2" 3000# SW 90 DEG
FTG	E3/43KSW	ELBOW 3/4" 3000# SW 90 DEG
FTG	E13KSW	ELBOW 1" 3000# SW 90 DEG

90 DEG STREET ELBOWS FORGED STEEL 3000#

<u>Line Abbrev</u>	<u>Part Number</u>	<u>MAS-Pro Oilfield Supply DESCRIPTION</u>
FTG	E1/83KS	ELBOW 1/8" 3000# 90 DEG STREET A105
FTG	E1/43KS	ELBOW 1/4" 3000# 90 DEG STREET A105
FTG	E3/83KS	ELBOW 3/8" 3000# 90 DEG STREET A105
BAN	E1/23KS	ELBOW 1/2" 3000# 90 DEG STREET A105
FTG	E3/43KS	ELBOW 3/4" 3000# 90 DEG STREET A105
FTG	E13KS	ELBOW 1" 3000# 90 DEG STREET A105
FTG	E23KS	ELBOW 2" 3000# 90 DEG STREET A105

45 DEG ELBOWS FORGED STEEL 6000#

<u>Line Abbrev</u>	<u>Part Number</u>	<u>MAS-Pro Oilfield Supply DESCRIPTION</u>
FTG	E3/46K45	ELBOW 3/4" 6000# 45 DEG
FTG	E16K45T	ELBOW 1" 6000# 45 DEG
FTG	E1-1/26K45T	ELBOW 1-1/2" 6000# 45 DEG
FTG	E26K45	ELBOW 2" 6000# 45 DEG

MAS-Pro Oilfield Supply, Division of 1223492 Alberta LTD.
 Red Deer - 4841-78st, T4P 15N, 403-341-5959
 GP/Clairmont - #101, 6902-98st, T8X 5A1, 780-832-9899
 Website : www.mas-prosupply.com

45 DEG SOCKET WELD ELBOWS FORGED STEEL 6000#

<u>Line Abbrev</u>	<u>Part Number</u>	<u>MAS-Pro Oilfield Supply DESCRIPTION</u>
FTG	E16K45SW	ELBOW 1" 6000# SW 45 DEG
FTG	E1-1/2 6K45	ELBOW 1-1/2" 6000# SW 45 DEG A105

90 DEG ELBOWS FORGED STEEL 6000#

<u>Line Abbrev</u>	<u>Part Number</u>	<u>MAS-Pro Oilfield Supply DESCRIPTION</u>
FTG	E3/86K	ELBOW 3/8" 6000# 90 DEG
FTG	E1/26K	ELBOW 1/2" 6000# 90 DEG
FTG	E3/46K	ELBOW 3/4" 6000# 90 DEG
FTG	E16K	ELBOW 1" 6000# 90 DEG
FTG	E1-1/46K90	ELBOW 1-1/4" 6000# 90 DEG
FTG	E1-1/26K90	ELBOW 1-1/2" 6000# 90 DEG
FTG	E26K90	ELBOW 2" 6000# 90 DEG

90 DEG STREET ELBOWS FORGED STEEL 6000#

<u>Line Abbrev</u>	<u>Part Number</u>	<u>MAS-Pro Oilfield Supply DESCRIPTION</u>
FTG	E16KS	ELBOW 1" 6000# 90 DEG STREET A105
FTG	E1-1/46KS	ELBOW 1-1/4" 6000# 90 DEG STREET A105
FTG	E1-1/26KS	ELBOW 1-1/2" 6000# STREET

90 DEG STREET ELBOWS FORGED STEEL 15,000#

<u>Line Abbrev</u>	<u>Part Number</u>	<u>MAS-Pro Oilfield Supply DESCRIPTION</u>
C&C	E3/815KS	ELBOW 3/8" 15000# STREET
FTG	E1/215KS	ELBOW 1/2" 15000# STREET

ELBOWS SPECIALITY

<u>Line Abbrev</u>	<u>Part Number</u>	<u>MAS-Pro Oilfield Supply DESCRIPTION</u>
FTG	E1/43KSS	ELBOW 1/4" 3000 SS
FTG	CLMA44N-CS	CS 1/4" X 1/4" MNPT ELBOW
FTG	E1/23KSS316	ELBOW 1/2" 3000# SS316
FTG	ES1/2NPTX3/8T	ELBOW STAINLESS 1/2" NPT X 3/8" TUBING
FTG	E1/2S	ELBOW 1/2" TUBE X 1/2" MNPT 90 DEG STAINLESS
FTG	E1GS	ELBOW 1" GALVINIZED STREET
FTG	E1-1/23KSS316	ELBOW 1-1/2" 3000# SS316
C&C	E2V10	ELBOW VICTRAULIC 2" #10
C&C	HB20090	ELBOW 2" 90DEG BARB X BARB POLY BANJO
FTG	E2BXBN	ELBOW 2" BARB X BARB NYLON
C&C	EL3PVC	ELBOW 3" PVC
FTG	E4V10	ELBOW VICTRAULIC 4" #10

MAS-Pro Oilfield Supply, Division of 1223492 Alberta LTD.

Red Deer - 4841-78st, T4P 15N, 403-341-5959

GP/Clairmont - #101, 6902-98st, T8X 5A1, 780-832-9899

Website : www.mas-prosupply.com

EXPANSION JOINTS

<u>Line Abbrev</u>	<u>Part Number</u>	<u>MAS-Pro Oilfield Supply DESCRIPTION</u>
NIP	03-EX150B-6	3" 150# EXP JOINT 6 LNG BUNA
STD	04-EX150B-06	4" 150# EXP JOINT 6 LNG BUNA
STD	06-EX150B-6	6" 150# EXP JOINT 6 LNG BUNA
STD	08-EX150B-6	8" 150# EXP JOINT 6 LNG BUNA

1" FLANGES 150#

<u>Line Abbrev</u>	<u>Part Number</u>	<u>MAS-Pro Oilfield Supply DESCRIPTION</u>
FTG	F1150SORF	FLANGE 1" 150# A105 RF SO
FTG	F1150B	FLANGE 1" 150# RF BLIND A105
FTG	F1150T	FLANGE 1" 150# RF THD A105

1-1/2" FLANGES 150#

<u>Line Abbrev</u>	<u>Part Number</u>	<u>MAS-Pro Oilfield Supply DESCRIPTION</u>
FTG	F1-1/2150RX	FLANGE 1-1/2 150# RF WN XH A105
FTG	F112150RFTA105	FLANGE 1-1/2" 150# A105 RF THRD
FTG	F1-1/2150RB	FLANGE 1-1/2" 150# RF BL A105

3" FLANGES 150#

<u>Line Abbrev</u>	<u>Part Number</u>	<u>MAS-Pro Oilfield Supply DESCRIPTION</u>
FTG	F2150SO	FLANGE 2" 150# A105 RF SO
FTG	AFB200	FLANGE 2" 150# BLIND POLYBANJO
FTG	F2150BL	FLANGE 2" 150# RF BLIND A105
FTG	F2150T	FLANGE 2" 150# RF THD A105
FTG	F2150SRFWN	FLANGE 2" 150# RFWN STD A105
FTG	F2150RFWN	FLANGE 2" 150# RFWN XH A105
FTG	F2150RFWNXHLF2	FLANGE 2" 150# RFWN XH A350 LF2

3" FLANGES 150#

<u>Line Abbrev</u>	<u>Part Number</u>	<u>MAS-Pro Oilfield Supply DESCRIPTION</u>
FTG	F3150SO	FLANGE 3" 150# A105 RF SO
FTG	AFB300	FLANGE 3" 150# BLIND POLY BANJO
FTG	F3150B	FLANGE 3" 150# RF BLIND A105
FTG	F3150B1/2T	FLANGE 3" 150# RF BLIND TAPPED 1/2" NPT
FTG	F3150T	FLANGE 3" 150# RF THD A105
FTG	F3150SSFWNL	FLANGE 3" 150# RF WELD NECK STD A350-LF2N
FTG	F3150WNSTD	FLANGE 3" 150# RFWN STD A105
FTG	F3150RFWN	FLANGE 3" 150# RFWN XH A105

MAS-Pro Oilfield Supply, Division of 1223492 Alberta LTD.
Red Deer - 4841-78st, T4P 1S9, 403-341-5959
GP/Clairmont - #101, 6902-98st, T8X 5A1, 780-832-9899
Website : www.mas-prosupply.com

4" FLANGES 150#

<u>Line Abbrev</u>	<u>Part Number</u>	<u>MAS-Pro Oilfield Supply DESCRIPTION</u>
FTG	F4150SORF	FLANGE 4" 150# A105 RFSO
FTG	F4150WN	FLANGE 4" 150# A105 WELD NECK RF
FTG	AFB400	FLANGE 4" 150# BLIND POLY BANJO
FTG	F4150B	FLANGE 4" 150# RF BLIND A105
FTG	F4150T	FLANGE 4" 150# RF THD A105
FTG	F4150SSFWNL	FLANGE 4" 150# RF WELD NECK STD A350-LF2N
FTG	F4150STD	FLANGE 4" 150# RFWN STD A105
FTG	F4150RFWN	FLANGE 4" 150# RFWN XH A105
FTG	F4150RFWNXHLF2	FLANGE 4" 150# RFWN XH A350 LF2

5" FLANGES 150#

<u>Line Abbrev</u>	<u>Part Number</u>	<u>MAS-Pro Oilfield Supply DESCRIPTION</u>
FTG	F5150B	FLANGE 5" 150# RF BLIND A105
FTG	F5150SOFF	FLANGE 5" 150# A105 SLIP ON FF
FTG	F5150SORF	FLANGE 5" 150# A105 SLIP ON RF
FTG	F5150RFWNSTD	FLANGE 5" 150# RFWN STD A105
FTG	F5150RFWNXH	FLANGE 5" 150# RFWN XH A105

6" FLANGES 150#

<u>Line Abbrev</u>	<u>Part Number</u>	<u>MAS-Pro Oilfield Supply DESCRIPTION</u>
FTG	F6150FFWNSTD	FLANGE 6" 150# A105 FFWN STD
FTG	F6150SO	FLANGE 6" 150# A105 RFSO
FTG	F6150SOFF	FLANGE 6" 150# A105 SLIP ON FF
FTG	F6150B	FLANGE 6" 150# RF BLIND A105
FTG	F6150T	FLANGE 6" 150# RF THD A105
FTG	F6150SSFWNL	FLANGE 6" 150# RF WELD NECK STD A350-LF2N
FTG	F6150WN	FLANGE 6" 150# RFWN STD A105
FTG	F6150RFWN	FLANGE 6" 150# RFWN XH A105
FTG	F6150RFWNXHLF2	FLANGE 6" 150# RFWN XH A350 LF2

8" FLANGES 150#

<u>Line Abbrev</u>	<u>Part Number</u>	<u>MAS-Pro Oilfield Supply DESCRIPTION</u>
FTG	F8150B	FLANGE 8" 150# RF BLIND A105
FTG	F8150XSFWNL	FLANGE 8" 150# RF WELD NECK XH A350-LF2N
FTG	F8150SORF	FLANGE 8" 150# RFSO A105
FTG	F8150RFWNSTD	FLANGE 8" 150# RFWN STD A105
FTG	F8150RFWNXH	FLANGE 8" 150# RFWN XH A105

MAS-Pro Oilfield Supply, Division of 1223492 Alberta LTD.
Red Deer - 4841-78st, T4P 1S9, 403-341-5959
GP/Clairmont - #101, 6902-98st, T8X 5A1, 780-832-9899
Website : www.mas-prosupply.com

10" FLANGES 150#

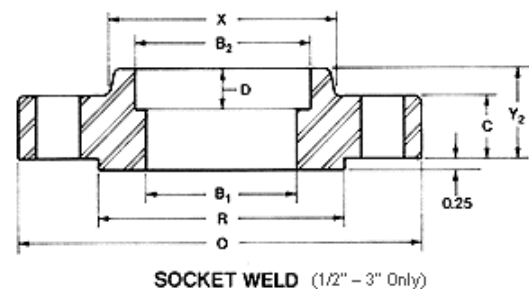
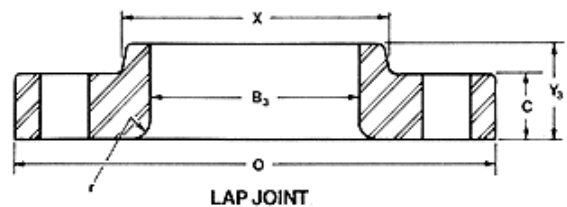
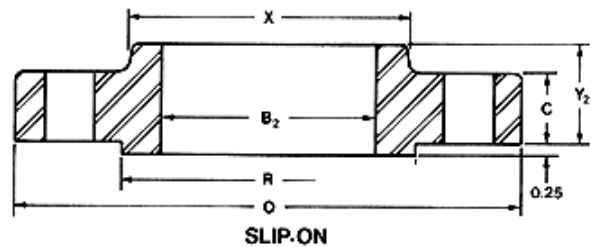
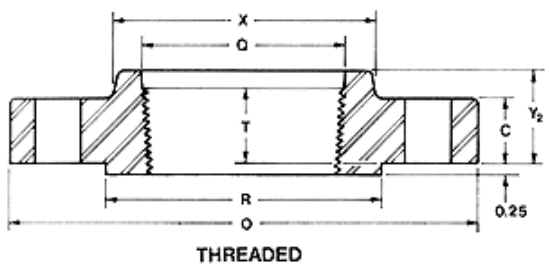
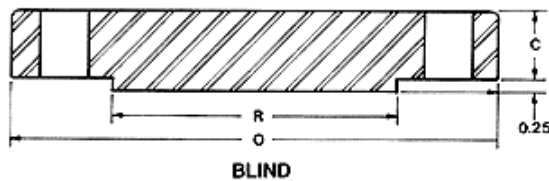
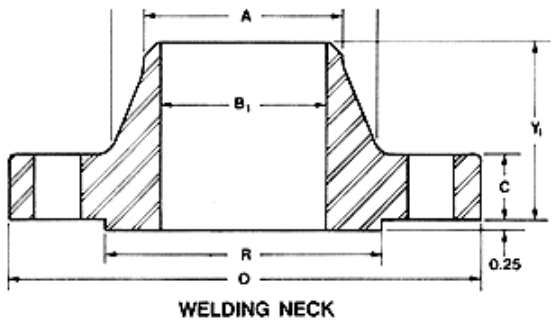
<u>Line Abbrev</u>	<u>Part Number</u>	<u>MAS-Pro Oilfield Supply DESCRIPTION</u>
FTG	F10150SO	FLANGE 10" 150# A105 SLIP ON RF
FTG	F10150B	FLANGE 10" 150# RF BLIND A105
FTG	F10150XSFWNL	FLANGE 10" 150# RF WELD NECK XH A350-LF2N
FTG	F10150RFSO	FLANGE 10" 150# RFSO A105
FTG	F10150RFWN80A10	FLANGE 10" 150# RFWN SCH80 A105
FTG	F10150RFWNSTD	FLANGE 10" 150# RFWN STD A105
FTG	F10150RFWNSTDLF2	FLANGE 10" 150# RFWN STD A350 LF2

12" FLANGES 150#

<u>Line Abbrev</u>	<u>Part Number</u>	<u>MAS-Pro Oilfield Supply DESCRIPTION</u>
FTG	F12150RFWN	FLANGE 12" 150# A105 RFWN
FTG	F12150SO	FLANGE 12" 150# A105 SLIP ON RF
FTG	F12150SSFWNL	FLANGE 12" 150# RF WELD NECK STD A350-LF2N
FTG	F12150XSFWNL	FLANGE 12" 150# RF WELD NECK XH A350-LF2N
C&C	F12150RFWN40A10	FLANGE 12" 150# RFWN SCH40 A105
C&C	F12150RFWN80A10	FLANGE 12" 150# RFWN SCH80 A105
FTG	F12150FFWNSTD	FLANGE 12" 150# A105 FFWN STD

14", 16", 24", 48" FLANGES 150#

<u>Line Abbrev</u>	<u>Part Number</u>	<u>MAS-Pro Oilfield Supply DESCRIPTION</u>
C&C	F14150RFSOA105	FLANGE 14" 150# RFSO A105
C&C	F16150XSFWNL	FLANGE 16" 150# A105 RF WELD NECK XH A350-LF2N
FTG	F16150SO	FLANGE 16" 150# A105 SLIP ON RF
FTG	F24150SORF	FLANGE 24" 150# A105 SLIP ON RF
FTG	F24150XSFWNL	FLANGE 24" 150# RF WELD NECK XH A350-LF2N
FTG	F48150RFHX	FLANGE 48" 150 XH RF WELD NECK



1/2", 3/4", 1" FLANGES 300#

<u>Line Abbrev</u>	<u>Part Number</u>	<u>MAS-Pro Oilfield Supply DESCRIPTION</u>
FTG	F1/230080SW	FLANGE 1/2" 300 XH SW
FTG	F3/430080SW	FLANGE 3/4" 300# XH SW
FTG	F1300T	FLANGE 1" 300# RF THD A105

2" FLANGES 300#

<u>Line Abbrev</u>	<u>Part Number</u>	<u>MAS-Pro Oilfield Supply DESCRIPTION</u>
FTG	F2300SO	FLANGE 2" 300# A105 SLIP ON RF
BAN	F2300B	FLANGE 2" 300# RF BLIND A105
FTG	F2300T	FLANGE 2" 300# RF THD A105
FTG	F23000WNS	FLANGE 2" 300# A105 WELD NECK RF STD
FTG	F2300XSFWNL	FLANGE 2" 300# RF WELD NECK XH A350-LF2N
FTG	F2300RFWNSTD	FLANGE 2" 300# RFWN STD A105
FTG	F2300RFWN	FLANGE 2" 300# RFWN XH A105

3" FLANGES 300#

<u>Line Abbrev</u>	<u>Part Number</u>	<u>MAS-Pro Oilfield Supply DESCRIPTION</u>
FTG	F3300SO	FLANGE 3" 300# A105 SLIP ON RF
FTG	F33000WNS	FLANGE 3" 300# A105 WELD NECK RF STD
FTG	F3300B	FLANGE 3" 300# RF BLIND A105
FTG	F3300T	FLANGE 3" 300# RF THD A105
FTG	F3300RFWN	FLANGE 3" 300# RFWN XH A105

4" FLANGES 300#

<u>Line Abbrev</u>	<u>Part Number</u>	<u>MAS-Pro Oilfield Supply DESCRIPTION</u>
FTG	F4300SORF	FLANGE 4" 300# A105 SLIP ON RF
BAN	F4300WNS	FLANGE 4" 300# A105N RF WELD NECK STD
FTG	F4300RFWN	FLANGE 4" 300# RFWN XH A105

6" FLANGES 300#

<u>Line Abbrev</u>	<u>Part Number</u>	<u>MAS-Pro Oilfield Supply DESCRIPTION</u>
FTG	F6300SO	FLANGE 6" 300# A105 SLIP ON RF
FTG	F63000WNS	FLANGE 6" 300# A105 WELD NECK RF STD
FTG	F6300B	FLANGE 6" 300# RF BLIND A105
FTG	F6300RFWN	FLANGE 6" 300# RFWN XH A105

MAS-Pro Oilfield Supply, Division of 1223492 Alberta LTD.
Red Deer - 4841-78st, T4P 1S9, 403-341-5959
GP/Clairmont - #101, 6902-98st, T8X 5A1, 780-832-9899
Website : www.mas-prosupply.com

8", 12", 20" FLANGES 300#

<u>Line Abbrev</u>	<u>Part Number</u>	<u>MAS-Pro Oilfield Supply DESCRIPTION</u>
FTG	F8300RFSOA105	FLANGE 8" 300# RFSO A105
FTG	F12300RFWN	FLANGE 12 300# A105 RFWN
FTG	F12300XSFWNL	FLANGE 12" 300# A105 RF WELD NECK XH A350-LF2N
FTG	F20300SRFWN	FLANGE 20" 300# A105 RF WELD NECK STD

2" FLANGES 600#

<u>Line Abbrev</u>	<u>Part Number</u>	<u>MAS-Pro Oilfield Supply DESCRIPTION</u>
FTG	F2600B	FLANGE 2" 600# RF BLIND A105
FTG	F2600RFWN	FLANGE 2" 600# RFWN XH A105

3" FLANGES 600#

<u>Line Abbrev</u>	<u>Part Number</u>	<u>MAS-Pro Oilfield Supply DESCRIPTION</u>
FTG	F3600BL	FLANGE 3" 600# RF BLIND A105
FTG	F3600B	FLANGE 3" 600# RF THD 2" LP THREAD A105
FTG	F3600T	FLANGE 3" 600# RF THD A105
FTG	F3600RFWN	FLANGE 3" 600# RFWN XH A105

4" FLANGES 600#

<u>Line Abbrev</u>	<u>Part Number</u>	<u>MAS-Pro Oilfield Supply DESCRIPTION</u>
FTG	F4600T	FLANGE 4" 600# RF THD A105
FTG	F4600RFWNSTD	FLANGE 4" 600# RFWN STD A105
FTG	F4600RFWN	FLANGE 4" 600# RFWN XH A105
FTG	F4600RFWNXHLF2	FLANGE 4" 600# RFWN XH A350 LF2

FLANGES 900 & 2500

<u>Line Abbrev</u>	<u>Part Number</u>	<u>MAS-Pro Oilfield Supply DESCRIPTION</u>
FTG	F4900WNXH	FLANGE 4" 900# A105 WELD NECK RF XH
FTG	F1122500A105RFSO	FLANGE 1-1/2" 2500# A105 RFSO
FTG	F32500XXH	FLANGE 3" 2500 RF XXH A350 LF2

MAS-Pro Oilfield Supply, Division of 1223492 Alberta LTD.
Red Deer - 4841-78st, T4P 1S9, 403-341-5959
GP/Clairmont - #101, 6902-98st, T8X 5A1, 780-832-9899
Website : www.mas-prosupply.com

2-1/16" FLANGES API

<u>Line Abbrev</u>	<u>Part Number</u>	<u>MAS-Pro Oilfield Supply DESCRIPTION</u>
FTG	F2-1/165K	FLANGE 2-1/16" 5K BLIND
FTG	F2-1/165KLF2	FLANGE 2-1/16" 5K LF2
FTG	F2-1/165KRTJWN160	FLANGE 2-1/16" 5K RTJWN 160
FTG	F2-1/165K2LPT	FLANGE 2-1/16" 5K W/ 2" LP THREAD
FTG	F2-1/165KX2602M	FLANGE 2-1/16" 5K X 2" 602 MALE WING
FTG	F2-1/165KX21502M	FLANGE 2-1/16" 5K X 2" 1502 MALE
FTG	F2-1/1610KX21502M	FLANGE 2-1/16" 10K X 2" 1502 MALE

2-9/16" FLANGES API

<u>Line Abbrev</u>	<u>Part Number</u>	<u>MAS-Pro Oilfield Supply DESCRIPTION</u>
BAN	F2-916X2LP	FLANGE 2-9/16" 10K X 2" LP
FTG	F2-916X238EUE	FLANGE 2-9/16" 10K X 2-3/8" EUE

3-1/8", 4-1/16" FLANGES API

<u>Line Abbrev</u>	<u>Part Number</u>	<u>MAS-Pro Oilfield Supply DESCRIPTION</u>
FTG	F3-1/85KRTJWNXXH	FLANGE 3-1/8" 5K RTJWN XXH A350 LF2
FTG	F4-1/165K	FLANGE 4-1/16" SCH 160 5K
FTG	F4-1/165K2XXH	FLANGE 4-1/16" 5000 #R39 2" WN XXH

5-1/8" FLANGES API

<u>Line Abbrev</u>	<u>Part Number</u>	<u>MAS-Pro Oilfield Supply DESCRIPTION</u>
FTG	F5-1/85K2XXH	FLANGE 5-1/8" 5000# R44 2" WN XXH
FTG	F5-1/85K3XXH	FLANGE 5-1/8" 5000# R44 3" WN XXH
FTG	F5-1/85K4XXH	FLANGE 5-1/8" 5000# R44 4" WN XXH

7-1/16" FLANGES API

<u>Line Abbrev</u>	<u>Part Number</u>	<u>MAS-Pro Oilfield Supply DESCRIPTION</u>
FTG	F7-1/163K7-5/8B	FLANGE 7-1/16" 3000# R45X7-5/8 8RN
FTG	F7-1/163K8-1/46V	FLANGE 7-1/16" 3000# R45X8-1/4 6V
FTG	F7-1/163K8-5/8B	FLANGE 7-1/16" 3000# R45X8-5/8 8RN
FTG	F7-1/165K2XXH	FLANGE 7-1/16" 5000# R46 2 WN XXH

MAS-Pro Oilfield Supply, Division of 1223492 Alberta LTD.
Red Deer - 4841-78st, T4P 1S9, 403-341-5959
GP/Clairmont - #101, 6902-98st, T8X 5A1, 780-832-9899
Website : www.mas-prosupply.com

FLANGES TANK

<u>Line Abbrev</u>	<u>Part Number</u>	MAS-Pro Oilfield Supply <u>DESCRIPTION</u>
FTG	F1/4TFS	FLANGE 1/4" F.S TANK #3000 #WIFL140
FTG	F3/8TFS	FLANGE 3/8" F.S TANK #3000 #WIFL038
FTG	F1/2TA	FLANGE 1/2" ALUMINUM TANK
FTG	F1/2TFS	FLANGE 1/2" F.S TANK #3000 #WIFL050
FTG	F1/2TSTD	FLANGE 1/2" TANK STD
FTG	F3/4TFS	FLANGE 3/4" F.S TANK #3000 #WIFL075
FTG	F3/4TSTD	FLANGE 3/4" TANK STD
STD	F1TA	FLANGE 1" ALUMINUM TANK
STD	F1TFS	FLANGE 1" F.S TANK #3000 #WIFL100
FTG	F1-1/4ST	TANK FLANGE 1-1/4" #FS125
FTG	F1-1/2ST	TANK FLANGE 1-1/2" #FS150
FTG	F1-1/2TFS	FLANGE 1-1/2" F.S TANK #3000#WIFL150
FTG	F2TFS	FLANGE 2" F.S TANK #3000 #WIFL200
FTG	F2-1/2150FFB	FLANGE 2-1/2" 150# FF BLIND A105
FTG	F2-1/2TFS	FLANGE 2-1/2" F.S TANK #3000#WIFL250
FTG	F3TFS	FLANGE 3" F.S TANK #3000 #WIFL300
FTG	F4TFS	FLANGE 4" F.S TANK #3000 #WIFL400

FLANGES SPECIALITY

<u>Line Abbrev</u>	<u>Part Number</u>	MAS-Pro Oilfield Supply <u>DESCRIPTION</u>
FTG	FS2-1/165K	FLANGE SPACER 2-1/16" 5K (R24 EACH SIDE)
FTG	SP4300	SPEC BLIND 4" 300 (PANCAKE FLANGE)

MAS-Pro Oilfield Supply, Division of 1223492 Alberta LTD.
 Red Deer - 4841-78st, T4P 15N, 403-341-5959
 GP/Clairmont - #101, 6902-98st, T8X 5A1, 780-832-9899
 Website : www.mas-prosupply.com

1/2" NIPPLES STD (500-1000#)

<u>Line Abbrev</u>	<u>Part Number</u>	<u>MAS-Pro Oilfield Supply DESCRIPTION</u>
NIP	N1/2XCSTD	NIPPLE 1/2" X CLOSE STD BLK
FTG	N1/2XCCS	NIPPLE 1/2" X CLOSE STAINLESS
NIP	N1/2X2STD	NIPPLE 1/2" X 2" STD BLK
NIP	N1/2X2-1/2STD316SS	NIPPLE 1/2" X 2-1/2" STD 316SS
NIP	N1/2X3STD	NIPPLE 1/2" X 3" STD
NIP	N1/2X4STD	NIPPLE 1/2" X 4" STD BLK
FTG	N1/2X4SS316	NIPPLE 1/2" X 4" SS316
NIP	N1/2X5STD	NIPPLE 1/2" X 5" STD
NIP	N1/2X6STD	NIPPLE 1/2" X 6" STD BLK
NIP	N1/2X7STD	NIPPLE 1/2" X 7" STD
NIP	N1/2X8STD	NIPPLE 1/2" X 8" STD BLK
NIP	N1/2X8'S	NIPPLE 1/2" X 8' STD
NIP	N1/2X12STD	NIPPLE 1/2" X 12" STD BLK
NIP	N1/2X22STD	NIPPLE 1/2" X 22" STD
NIP	N1/2X53STD	NIPPLE 1/2" X 53" STD

1" NIPPLES STD (500-1000#)

<u>Line Abbrev</u>	<u>Part Number</u>	<u>MAS-Pro Oilfield Supply DESCRIPTION</u>
FTG	N1XCLBLK	NIPPLE 1" X CLOSE BLACKMAL
NIP	N1X3STD	NIPPLE 1" X 3" STD
NIP	N1X4STDTOE304	NIPPLE 1" X 4" STD T.O.E A312 TP304L
NIP	N1X6STD	NIPPLE 1" X 6" STD
NIP	N1X50STD	NIPPLE 1" X 50" STD
NIP	N1X80STD	NIPPLE 1" X 80" STD

1-1/4" NIPPLES STD (500-1000#)

<u>Line Abbrev</u>	<u>Part Number</u>	<u>MAS-Pro Oilfield Supply DESCRIPTION</u>
NIP	N1-1/4X3B	NIPPLE 1-1/4" X 3" BLACKMAL
NIP	N1-1/4X4STD	NIPPLE 1-1/4" X 4" STD
NIP	N1-1/4X6STD	NIPPLE 1-1/4" X 6" STD
NIP	N114X18STD	NIPPLE 1-1/4" X 18" STD

1-1/2" NIPPLES STD (500-1000#)

<u>Line Abbrev</u>	<u>Part Number</u>	<u>MAS-Pro Oilfield Supply DESCRIPTION</u>
NIP	N1-1/2XCSTD	NIPPLE 1-1/2" X CLOSE STD
NIP	N112X36STDTOE	NIPPLE 1-1/2" X 36" STD A106 TOE

MAS-Pro Oilfield Supply, Division of 1223492 Alberta LTD.
 Red Deer - 4841-78st, T4P 1S9, 403-341-5959
 GP/Clairmont - #101, 6902-98st, T8X 5A1, 780-832-9899
 Website : www.mas-prosupply.com

2" NIPPLES STD (500-1000#)

<u>Line Abbrev</u>	<u>Part Number</u>	<u>MAS-Pro Oilfield Supply DESCRIPTION</u>
NIP	N2XCSTD	NIPPLE 2" X CLOSE STD
NIP	N2X3STD	NIPPLE 2" X 3" STD
NIP	N2X5STD	NIPPLE 2" X 5" STD
NIP	N2X6STD	NIPPLE 2" X 6" STD
NIP	N2X8STD	NIPPLE 2" X 8" STD
NIP	N2X10STD	NIPPLE 2" X 10" STD
NIP	N2X34STD	NIPPLE 2" X 34" STD

3" NIPPLES STD (500-1000#)

<u>Line Abbrev</u>	<u>Part Number</u>	<u>MAS-Pro Oilfield Supply DESCRIPTION</u>
NIP	N3XCS	NIPPLE 3" X CLOSE STD
NIP	N3X3STD	NIPPLE 3" X 3" STD
NIP	N3X4STD	NIPPLE 3" X 4" STD
NIP	N3X5STD	NIPPLE 3" X 5" STD
NIP	N3X6STD	NIPPLE 3" X 6" STD
NIP	N3X8STD	NIPPLE 3" X 8" STD
NIP	N3X10STD	NIPPLE 3" X 10" STD
NIP	N3X12STD	NIPPLE 3" X 12" STD
NIP	N3X15STD	NIPPLE 3" X 15" STD
NIP	N3X37-1/2STD	NIPPLE 3" X 37-1/2" STD
NIP	N3X49-1/2 STD	NIPPLE 3" X 49-1/2" STD

4" NIPPLES STD (500-1000#)

<u>Line Abbrev</u>	<u>Part Number</u>	<u>MAS-Pro Oilfield Supply DESCRIPTION</u>
NIP	N4XCSTD	NIPPLE 4" X CLOSE STD
NIP	N4X4STD	NIPPLE 4" X 4" STD
NIP	N4X5STD	NIPPLE 4" X 5" STD A106
NIP	N4X6STD	NIPPLE 4" X 6" STD A106
NIP	N4X8STD	NIPPLE 4" X 8" STD
NIP	N4X10STD	NIPPLE 4" X 10" STD
NIP	N4X12STD	NIPPLE 4" X 12" STD
NIP	N4X24STD	NIPPLE 4" X 24" STD

6" NIPPLES STD (500-1000#)

<u>Line Abbrev</u>	<u>Part Number</u>	<u>MAS-Pro Oilfield Supply DESCRIPTION</u>
NIP	N6XCSTD	NIPPLE 6" X CLOSE STD
NIP	N6X6STD	NIPPLE 6" X 6" STD
NIP	N6X8STD	NIPPLE 6" X 8" STD
NIP	N6X10STD	NIPPLE 6" X 10" STD
NIP	N6X12STD	NIPPLE 6" X 12" STD

MAS-Pro Oilfield Supply, Division of 1223492 Alberta LTD.
Red Deer - 4841-78st, T4P 15N, 403-341-5959
GP/Clairmont - #101, 6902-98st, T8X 5A1, 780-832-9899
Website : www.mas-prosupply.com

8" NIPPLES STD (500-1000#)

<u>Line Abbrev</u>	<u>Part Number</u>	<u>MAS-Pro Oilfield Supply DESCRIPTION</u>
NIP	N8XCSTD	NIPPLE 8" X CLOSE STD
NIP	N8X6STD	NIPPLE 8" X 6" STD
NIP	N8X10STD	NIPPLE 8" X 10" STD A106

1/8" NIPPLES XH 2-3000#

<u>Line Abbrev</u>	<u>Part Number</u>	<u>MAS-Pro Oilfield Supply DESCRIPTION</u>
NIP	N1/8XCL	NIPPLE 1/8" X CLOSE XH
NIP	N1/8X1-1/2XH	NIPPLE 1/8" X 1-1/2" XH
NIP	N1/8X2XH	NIPPLE 1/8" X 2" XH
NIP	N1/8X3XH	NIPPLE 1/8" X 3" XH
NIP	N1/8X4XH	NIPPLE 1/8" X 4" XH

1/4" NIPPLES XH 2-3000#

<u>Line Abbrev</u>	<u>Part Number</u>	<u>MAS-Pro Oilfield Supply DESCRIPTION</u>
NIP	N1/4XCXH	NIPPLE 1/4" X CLOSE XH A106
NIP	N1/4X1-1/2XH	NIPPLE 1/4" X 1-1/2" XH A106
NIP	N1/4X2XH	NIPPLE 1/4" X 2" XH A106
NIP	N1/4X2-1/2XH	NIPPLE 1/4" X 2-1/2" XH A106
NIP	N1/4X3XH	NIPPLE 1/4" X 3" XH A106
NIP	N1/4X3-1/2XH	NIPPLE 1/4" X 3-1/2" XH A106
NIP	N1/4X4XH	NIPPLE 1/4" X 4" XH A106
NIP	N1/4X4-1/4	NIPPLE 1/4" X 4-1/4" XH A106
NIP	N1/4X5XH	NIPPLE 1/4" X 5" XH A106
NIP	N1/4X5-1/2XH	NIPPLE 1/4" X 5-1/2" XH A106
NIP	N1/4X6XH	NIPPLE 1/4" X 6" XH A106
NIP	N1/4X10XH	NIPPLE 1/4" X 10" XH A106
NIP	N1/4X11XH	NIPPLE 1/4" X 11" XH A106
NIP	N1/4X12	NIPPLE 1/4" X 12" XH A106
NIP	N1/4X16 XH	NIPPLE 1/4" X 16" XH

MAS-Pro Oilfield Supply, Division of 1223492 Alberta LTD.
 Red Deer - 4841-78st, T4P 1S9, 403-341-5959
 GP/Clairmont - #101, 6902-98st, T8X 5A1, 780-832-9899
 Website : www.mas-prosupply.com

3/8" NIPPLES XH 2-3000#

<u>Line Abbrev</u>	<u>Part Number</u>	<u>MAS-Pro Oilfield Supply DESCRIPTION</u>
NIP	N3/8XCXH	NIPPLE 3/8" X CLOSE XH A106
NIP	N3/8X1-1/2XH	NIPPLE 3/8" X 1-1/2" XH A106
NIP	N3/8X2XH	NIPPLE 3/8" X 2" XH A106
NIP	N3/8X2-1/2XH	NIPPLE 3/8" X 2-1/2" XH A106
NIP	N3/8X3XH	NIPPLE 3/8" X 3" XH A106
NIP	N3/8X3-1/2	NIPPLE 3/8" X 3-1/2" XH A106
NIP	N3/8X4XH	NIPPLE 3/8" X 4" XH A106
NIP	N3/8X6XH	NIPPLE 3/8" X 6" XH A106
NIP	N3/8X40XH	NIPPLE 3/8" X 40" XH (FOR TONG RAM)

1/2" NIPPLES XH 2-3000#

<u>Line Abbrev</u>	<u>Part Number</u>	<u>MAS-Pro Oilfield Supply DESCRIPTION</u>
NIP	N1/2XCXH	NIPPLE 1/2" X CLOSE XH A106
NIP	N1/2X1-1/2XH	NIPPLE 1/2" X 1-1/2" XH A106
NIP	N1/2X2XH	NIPPLE 1/2" X 2" XH A106
NIP	N1/2X21/2XH	NIPPLE 1/2" X 2-1/2" XH A106
NIP	N1/2X3XH	NIPPLE 1/2" X 3" XH A106
NIP	N12X312XHA106	NIPPLE 1/2" X 3-1/2" XH A106
NIP	N1/2X4XH	NIPPLE 1/2" X 4" XH A106
NIP	N1/2X5XH	NIPPLE 1/2" X 5" XH A106
NIP	N1/2X6XH	NIPPLE 1/2" X 6" XH A106
NIP	N1/2X8XH	NIPPLE 1/2" X 8" XH A106
NIP	N1/2X12XHA106	NIPPLE 1/2" X 12" XH A106
NIP	N1/2X16-1/2XH	NIPPLE 1/2" X 16-1/2" XH

3/4" NIPPLES XH 2-3000#

<u>Line Abbrev</u>	<u>Part Number</u>	<u>MAS-Pro Oilfield Supply DESCRIPTION</u>
NIP	N3/4XCXH	NIPPLE 3/4" X CLOSE XH A106
NIP	N3/4X1-1/2XH	NIPPLE 3/4" X 1-1/2" XH A106
NIP	N3/4X2XH	NIPPLE 3/4" X 2" XH A106
NIP	N3/4X2-1/2XH	NIPPLE 3/4" X 2-1/2" XH A106
NIP	N3/4X3XH	NIPPLE 3/4" X 3" XH A106
NIP	N3/4X3-1/2XH	NIPPLE 3/4" X 3-1/2" XH A106
NIP	N3/4X4XH	NIPPLE 3/4" X 4" XH A106
NIP	N3/4X5XH	NIPPLE 3/4" X 5" XH A106
NIP	N3/4X6XH	NIPPLE 3/4" X 6" XH A106
NIP	N3/4X7-1/2XH	NIPPLE 3/4" X 7-1/2" XH A106
NIP	N3/4X10XH	NIPPLE 3/4" X 10" XH A106
NIP	N3/4X12XH	NIPPLE 3/4" X 12" XH A106

MAS-Pro Oilfield Supply, Division of 1223492 Alberta LTD.
 Red Deer - 4841-78st, T4P 1S9, 403-341-5959
 GP/Clairmont - #101, 6902-98st, T8X 5A1, 780-832-9899
 Website : www.mas-prosupply.com

1" NIPPLES XH 2-3000#

<u>Line Abbrev</u>	<u>Part Number</u>	<u>MAS-Pro Oilfield Supply DESCRIPTION</u>
NIP	N1XCSXH	NIPPLE 1" X CLOSE XH A106
NIP	N1X2XH	NIPPLE 1" X 2" XH A106
NIP	N1X2-1/2XH	NIPPLE 1" X 2-1/2" XH
NIP	N1X3XH	NIPPLE 1" X 3" XH
NIP	N1X3XHSS	NIPPLE 1" X 3" XH SS
NIP	N1X3-1/2XHA106	NIPPLE 1" X 3-1/2" XH A106
NIP	N1X4XH	NIPPLE 1" X 4" XH A106
NIP	N1X4XHSS	NIPPLE 1" X 4" XH SS
NIP	N1X4-1/2XH	NIPPLE 1" X 4-1/2" XH
NIP	N1X5XH	NIPPLE 1" X 5" XH
NIP	N1X5-1/2XH	NIPPLE 1" X 5-1/2" XH
NIP	N1X6XH	NIPPLE 1" X 6" XH
NIP	N1X6XHSS	NIPPLE 1" X 6" XH SS
NIP	N1X6-1/2XH	NIPPLE 1" X 6-1/2" XH
NIP	N1X7XH	NIPPLE 1" X 7" XH
NIP	N1X8XH	NIPPLE 1" X 8" XH
NIP	N1X9XH	NIPPLE 1" X 9" XH
NIP	N1X10XH	NIPPLE 1" X 10" XH
NIP	N1X11XH	NIPPLE 1" X 11" XH
NIP	N1X12XH	NIPPLE 1" X 12" XH
NIP	N1X14XHA106	NIPPLE 1" X 14" XH A106
NIP	N1X17XHA106	NIPPLE 1" X 17" XH A106
NIP	N1X18XH	NIPPLE 1" X 18" XH
NIP	N1X48XH	NIPPLE 1" X 48" XH

1-1/4" NIPPLES XH 2-3000#

<u>Line Abbrev</u>	<u>Part Number</u>	<u>MAS-Pro Oilfield Supply DESCRIPTION</u>
NIP	N1-1/4XCXH	NIPPLE 1-1/4" X CLOSE XH
NIP	N11/4X2XH	NIPPLE 1-1/4" X 2" XH
MS3	N1-1/4X2-1/2XH	NIPPLE 1-1/4" X 2-1/2" XH
NIP	N1-1/4X3XH	NIPPLE 1-1/4" X 3" XH
NIP	N1-1/4X4XH	NIPPLE 1-1/4" X 4" XH
MS3	N114X6XHA106	NIPPLE 1-1/4" X 6" A106
NIP	N1-1/4X7XH	NIPPLE 1-1/4" X 7" XH
NIP	N1-1/4X8XH	NIPPLE 1-1/4" X 8" XH

MAS-Pro Oilfield Supply, Division of 1223492 Alberta LTD.
 Red Deer - 4841-78st, T4P 15N, 403-341-5959
 GP/Clairmont - #101, 6902-98st, T8X 5A1, 780-832-9899
 Website : www.mas-prosupply.com

1-1/2" NIPPLES XH 2-3000#

<u>Line Abbrev</u>	<u>Part Number</u>	<u>MAS-Pro Oilfield Supply DESCRIPTION</u>
NIP	N1-1/2XCXH	NIPPLE 1-1/2" X CLOSE XH
MS3	N1-1/2X2XH	NIPPLE 1-1/2" X 2" XH
NIP	N1-1/2X3XH	NIPPLE 1-1/2" X 3" XH
NIP	N1-1/2X4XH	NIPPLE 1-1/2" X 4" XH
NIP	N1-1/2X5XH	NIPPLE 1-1/2" X 5" XH
NIP	N1-1/2X6XH	NIPPLE 1-1/2" X 6" XH
NIP	N1-1/2X8XH	NIPPLE 1-1/2" X 8" XH
NIP	N1-1/2X10XH	NIPPLE 1-1/2" X 10" XH
NIP	N1-1/2X12XH	NIPPLE 1-1/2" X 12" XH A106

2" NIPPLES XH 2-3000#

<u>Line Abbrev</u>	<u>Part Number</u>	<u>MAS-Pro Oilfield Supply DESCRIPTION</u>
NIP	N2XCXH	NIPPLE 2" X CLOSE XH A106
NIP	N2X2-1/2XH	NIPPLE 2" X 2-1/2" XH
NIP	N2X3XH	NIPPLE 2" X 3" XH A106
NIP	N2X3-1/2XH	NIPPLE 2" X 3-1/2" XH
NIP	N2X4XH	NIPPLE 2" X 4" XH A106
NIP	N2X4-1/2XH	NIPPLE 2" X 4-1/2" XH
NIP	N2X5XH	NIPPLE 2" X 5" XH
NIP	N2X5-1/2XH	NIPPLE 2" X 5-1/2" XH A106
NIP	N2X6XH	NIPPLE 2" X 6" XH A106
NIP	N2X7-1/2XH	NIPPLE 2" X 7-1/2" XH
NIP	N2X8XH316SS	NIPPLE 2" X 8" XH 316SS
NIP	N2X8"XH	NIPPLE 2" X 8" XH A106
NIP	N2X9XH	NIPPLE 2" X 9" XH
NIP	N2X10XH	NIPPLE 2" X 10" XH A106
NIP	N2X11XH	NIPPLE 2" X 11" XH
NIP	N2X12XH	NIPPLE 2" X 12" XH A106
NIP	N2X14XH	NIPPLE 2" X 14" XH
NIP	N2X15XH	NIPPLE 2" X 15" XH
NIP	N2X16XH	NIPPLE 2" X 16" XH
NIP	N2X24XH	NIPPLE 2" X 24" XH
NIP	N2X31XH	NIPPLE 2" X 31" XH
NIP	N2X36XH	NIPPLE 2" X 36" XH
NIP	N2X48XH	NIPPLE 2" X 48" XH
NIP	N2X60XH	NIPPLE 2" X 60" XH
NIP	N2X72XH	NIPPLE 2" X 72" XH
NIP	N2X96XH	NIPPLE 2" X 96" XH

MAS-Pro Oilfield Supply, Division of 1223492 Alberta LTD.
Red Deer - 4841-78st, T4P 1S9, 403-341-5959
GP/Clairmont - #101, 6902-98st, T8X 5A1, 780-832-9899
Website : www.mas-prosupply.com

3" NIPPLES XH 2-3000#

<u>Line Abbrev</u>	<u>Part Number</u>	<u>MAS-Pro Oilfield Supply DESCRIPTION</u>
NIP	N3XCXH	NIPPLE 3" X CLOSE XH
NIP	N3X3XH	NIPPLE 3" X 3" XH
NIP	N3X3-1/2XH	NIPPLE 3" X 3-1/2" XH
NIP	N3X4XH	NIPPLE 3" X 4" XH A106
NIP	N3X5XH	NIPPLE 3" X 5" XH
NIP	N3X6XH	NIPPLE 3" X 6" XH
NIP	N3X7XHA106	NIPPLE 3" X 7" XH A106
NIP	N3X8XH	NIPPLE 3" X 8" XH A106
NIP	N3X10XH	NIPPLE 3" X 10" XH A106
NIP	N3X12XH	NIPPLE 3" X 12" XH
NIP	N3X14XH	NIPPLE 3" X 14" XH
NIP	N3X15XH	NIPPLE 3" X 15" XH

4" NIPPLES XH 2-3000#

<u>Line Abbrev</u>	<u>Part Number</u>	<u>MAS-Pro Oilfield Supply DESCRIPTION</u>
NIP	N4XCXH	NIPPLE 4" X CLOSE XH A106
NIP	N4X4XH	NIPPLE 4" X 4" XH
NIP	N4X4-1/2XH	NIPPLE 4" X 4-1/2" XH A106
NIP	N4X5XH	NIPPLE 4" X 5" XH
NIP	N4X6XH	NIPPLE 4" X 6" XH A106
NIP	N4X8XH	NIPPLE 4" X 8" XH
NIP	N4X10XH	NIPPLE 4" X 10" XH
NIP	N4X12XH	NIPPLE 4" X 12" XH
NIP	N4X16XH	NIPPLE 4" X 16" XH

6" NIPPLES XH 2-3000#

<u>Line Abbrev</u>	<u>Part Number</u>	<u>MAS-Pro Oilfield Supply DESCRIPTION</u>
NIP	N6X8XH	NIPPLE 6" X 8" XH
NIP	N8X10XH	NIPPLE 8" X 10" XH

MAS-Pro Oilfield Supply, Division of 1223492 Alberta LTD.
 Red Deer - 4841-78st, T4P 1S1N, 403-341-5959
 GP/Clairmont - #101, 6902-98st, T8X 5A1, 780-832-9899
 Website : www.mas-prosupply.com

1/2" NIPPLES SCH 160 A106 3-4000#

<u>Line Abbrev</u>	<u>Part Number</u>	<u>MAS-Pro Oilfield Supply DESCRIPTION</u>
NIP	N1/2X3160	NIPPLE 1/2" X 3" SCH 160
NIP	N1/2X4160	NIPPLE 1/2" X 4" SCH 160
NIP	N1/2X6160	NIPPLE 1/2" X 6" SCH 160

3/4" NIPPLES SCH 160 A106 3-4000#

<u>Line Abbrev</u>	<u>Part Number</u>	<u>MAS-Pro Oilfield Supply DESCRIPTION</u>
NIP	N3/4X4SCH160	NIPPLE 3/4" X 4" A106B SCH160

1" NIPPLES SCH 160 A106 3-4000#

<u>Line Abbrev</u>	<u>Part Number</u>	<u>MAS-Pro Oilfield Supply DESCRIPTION</u>
FTG	N1X3160	NIPPLE 1" X 3" SCH160 A106
FTG	N1X312SCH160A106	NIPPLE 1" X 3-1/2" SCH160 A106
FTG	N1X4SCH160A106	NIPPLE 1" X 4" SCH160 A106
FTG	N1X412SCH160A106	NIPPLE 1" X 4-1/2" SCH160 A106
NIP	N1X5SCH160A106	NIPPLE 1" X 5" SCH160 A106
NIP	N1X512SCH160A106	NIPPLE 1" X 5-1/2" SCH160 A106

2" NIPPLES SCH 160 A106 3-4000#

<u>Line Abbrev</u>	<u>Part Number</u>	<u>MAS-Pro Oilfield Supply DESCRIPTION</u>
NIP	N2XC160	NIPPLE 2" X CLOSE SCH 160
NIP	N2X3160A106	NIPPLE 2" X 3" SCH 160
NIP	N2X4160	NIPPLE 2" X 4" SCH 160
HYD	N2X5150	NIPPLE 2" X 5" SCH 160
FTG	N2X6160	NIPPLE 2" X 6" SCH160 A106
NIP	N2X8160	NIPPLE 2" X 8" SCH160 A106
NIP	N2X12SCH160	NIPPLE 2" X 12" SCH160 A106

3" NIPPLES SCH 160 A106 3000#

<u>Line Abbrev</u>	<u>Part Number</u>	<u>MAS-Pro Oilfield Supply DESCRIPTION</u>
NIP	N3X6160	NIPPLE 3" X 6" SCH 160 A106

MAS-Pro Oilfield Supply, Division of 1223492 Alberta LTD.
 Red Deer - 4841-78st, T4P 15N, 403-341-5959
 GP/Clairmont - #101, 6902-98st, T8X 5A1, 780-832-9899
 Website : www.mas-prosupply.com

1/2" NIPPLES SCH 160 A333 3-4000#

<u>Line Abbrev</u>	<u>Part Number</u>	<u>MAS-Pro Oilfield Supply DESCRIPTION</u>
NIP	N1/2X2160A333	NIPPLE 1/2" X 2" SCH160 A333
NIP	N1/2X3160A333	NIPPLE 1/2" X 3" SCH160 A333
NIP	N1/2X4160A333	NIPPLE 1/2" X 4" SCH160 A333

2" NIPPLES SCH 160 A333 3-4000#

<u>Line Abbrev</u>	<u>Part Number</u>	<u>MAS-Pro Oilfield Supply DESCRIPTION</u>
NIP	N2X3160A333	NIPPLE 2" X 3" SCH 160 A333
NIP	N2X4160A333	NIPPLE 2" X 4" SCH 160 A333



MAS-Pro Oilfield Supply, Division of 1223492 Alberta LTD.
Red Deer - 4841-78st, T4P 1S9, 403-341-5959
GP/Clairmont - #101, 6902-98st, T8X 5A1, 780-832-9899
Website : www.mas-prosupply.com

1/2" NIPPLES XXH A106 4-5000#

<u>Line Abbrev</u>	<u>Part Number</u>	<u>MAS-Pro Oilfield Supply DESCRIPTION</u>
NIP	N1/2XCXXH	NIPPLE 1/2" X CLOSE XXH
NIP	N1/2X2XXH	NIPPLE 1/2" X 2" XXH
NIP	N1/2X3XXH	NIPPLE 1/2" X 3" XXH
NIP	N1/2X4XXH	NIPPLE 1/2" X 4" XXH
NIP	N1/2X6XXH	NIPPLE 1/2" X 6" XXH
NIP	N1/2X8XXHA106	NIPPLE 1/2" X 8" XXH A106

3/4" NIPPLES XXH A106 4-5000#

<u>Line Abbrev</u>	<u>Part Number</u>	<u>MAS-Pro Oilfield Supply DESCRIPTION</u>
NIP	N3/4XCXXH	NIPPLE 3/4" X CLOSE XXH A106
NIP	N3/4X1-1/2XXH	NIPPLE 3/4" X 1-1/2" XXH
NIP	N3/4X2XXHA106	NIPPLE 3/4" X 2" XXH A106
NIP	N3/4X4XXH	NIPPLE 3/4" X 4" XXH A106

1" NIPPLES XXH A106 4-5000#

<u>Line Abbrev</u>	<u>Part Number</u>	<u>MAS-Pro Oilfield Supply DESCRIPTION</u>
NIP	N1XCSXXH	NIPPLE 1" X CLOSE XXH
NIP	N1X2XXH	NIPPLE 1" X 2" XXH A106
NIP	N1X2-1/2XXH	NIPPLE 1" X 2-1/2" XXH
NIP	N1X3XXH	NIPPLE 1" X 3" XXH
NIP	N1X4XXH	NIPPLE 1" X 4" XXH A106
NIP	N1X4-1/2XXH	NIPPLE 1" X 4-1/2" XXH
NIP	N1X5XXH	NIPPLE 1" X 5" XXH
NIP	N1X6XXH	NIPPLE 1" X 6" XXH A106
NIP	N1X12XXHA106	NIPPLE 1" X 12" XXH A106

1-1/4" NIPPLES XXH A106 4-5000#

<u>Line Abbrev</u>	<u>Part Number</u>	<u>MAS-Pro Oilfield Supply DESCRIPTION</u>
NIP	N1-1/4X2XXH	NIPPLE 1-1/4" X 2" XXH

1-1/2" NIPPLES XXH A106 4-5000#

<u>Line Abbrev</u>	<u>Part Number</u>	<u>MAS-Pro Oilfield Supply DESCRIPTION</u>
NIP	N1-1/2XCXXH	NIPPLE 1-1/2" X CLOSE XXH
NIP	N1-1/2X2XXH	NIPPLE 1-1/2" X 2" XXH
NIP	N1-1/2X2-1/2XXH	NIPPLE 1-1/2" X 2-1/2" XXH
NIP	N1-1/2X2-3/4XXH	NIPPLE 1-1/2" X 2-3/4" XXH
NIP	N1-1/2X3XXH	NIPPLE 1-1/2" X 3" XXH
NIP	N1-1/2X4XXH	NIPPLE 1-1/2" X 4" XXH
NIP	N1-1/2X10XXH	NIPPLE 1-1/2" X 10" XXH
NIP	N1-1/2X14XXH	NIPPLE 1-1/2" X 14" XXH
NIP	N1-1/2X15XXH	NIPPLE 1-1/2" X 15" XXH
NIP	N1-1/2X18XXH	NIPPLE 1-1/2" X 18" XXH
NIP	N1-1/2X18-1/2XXH	NIPPLE 1-1/2" X 18-1/2" XXH
NIP	N1-1/2X19XXH	NIPPLE 1-1/2" X 19" XXH

MAS-Pro Oilfield Supply, Division of 1223492 Alberta LTD.
 Red Deer - 4841-78st, T4P 15N, 403-341-5959
 GP/Clairmont - #101, 6902-98st, T8X 5A1, 780-832-9899
 Website : www.mas-prosupply.com

2" NIPPLES XXH A106 4-5000#

<u>Line Abbrev</u>	<u>Part Number</u>	<u>MAS-Pro Oilfield Supply DESCRIPTION</u>
NIP	N2XCXXH	NIPPLE 2" X CLOSE XXH
NIP	N2X2-1/2XXH	NIPPLE 2" X 2-1/2" XXH
NIP	N2X3XXH	NIPPLE 2" X 3" XXH
NIP	N2X312XXHA106	NIPPLE 2" X 3-1/2" XXH A106
NIP	N2X4XXH	NIPPLE 2" X 4" XXH
NIP	N2X4-1/2XXH	NIPPLE 2" X 4-1/2" XXH A106
NIP	N2X5XXH	NIPPLE 2" X 5" XXH
NIP	N2X512XXHA106	NIPPLE 2" X 5-1/2" XXH A106
NIP	N2X6XXH	NIPPLE 2" X 6" XXH
NIP	N2X6XXHLF2	NIPPLE 2" X 6" XXH A333 LF2
NIP	N2X8XXH	NIPPLE 2" X 8" XXH
NIP	N2X8-1/2XH	NIPPLE 2" X 8-1/2" XXH
NIP	N2X9XXH	NIPPLE 2" X 9" XXH
NIP	N2X10XXH	NIPPLE 2" X 10" XXH
NIP	N2X11XXH	NIPPLE 2" X 11" XXH
NIP	N2X12XXH	NIPPLE 2" X 12" XXH A106
NIP	N2X13XXH	NIPPLE 2" X 13" XXH
NIP	N2X13-1/2XXH	NIPPLE 2" X 13-1/2" XXH
NIP	N2X16XXH	NIPPLE 2" X 16" XXH
NIP	N2X17-1/2XXH	NIPPLE 2" X 17-1/2" XXH
NIP	N2X20XXH	NIPPLE 2" X 20" XXH
NIP	N2X22XXH	NIPPLE 2" X 22" XXH
NIP	N2X24XXH	NIPPLE 2" X 24" XXH
NIP	N2X27XXH	NIPPLE 2" X 27" XXH
NIP	N2X30XXH	NIPPLE 2" X 30" XXH
NIP	N2X34XXH	NIPPLE 2" X 34" XXH
NIP	N2X36XXH	NIPPLE 2" X 36" XXH
NIP	N2X48XXH	NIPPLE 2" X 48" XXH
NIP	N2X60XXH	NIPPLE 2" X 60" XXH
NIP	N2X70XXH	NIPPLE 2" X 70" XXH
NIP	N2X72XXH	NIPPLE 2" X 72" XXH
NIP	N2X96XXH	NIPPLE 2" X 96" XXH

3" NIPPLES XXH A106 4-5000#

<u>Line Abbrev</u>	<u>Part Number</u>	<u>MAS-Pro Oilfield Supply DESCRIPTION</u>
NIP	N3XCXXH	NIPPLE 3" X CLOSE XXH
NIP	N3X4XXHA106	NIPPLE 3" X 4" XXH A106
NIP	N3X6XXH	NIPPLE 3" X 6" XXH
NIP	N3X8XXHA106	NIPPLE 3" X 8" XXH A106
NIP	N3X12XXH	NIPPLE 3" X 12" XXH

MAS-Pro Oilfield Supply, Division of 1223492 Alberta LTD.
 Red Deer - 4841-78st, T4P 1S9, 403-341-5959
 GP/Clairmont - #101, 6902-98st, T8X 5A1, 780-832-9899
 Website : www.mas-prosupply.com

4" NIPPLES XXH A106 4-5000#

<u>Line Abbrev</u>	<u>Part Number</u>	<u>MAS-Pro Oilfield Supply DESCRIPTION</u>
NIP	N4XCXXH	NIPPLE 4" X CLOSE XXH

8" NIPPLES XXH A106 4-5000#

<u>Line Abbrev</u>	<u>Part Number</u>	<u>MAS-Pro Oilfield Supply DESCRIPTION</u>
PIP	P8X18-1/2XXH	PIPE 8" X 18-1/2" XXH A106

1/2" NIPPLES XXH A333

<u>Line Abbrev</u>	<u>Part Number</u>	<u>MAS-Pro Oilfield Supply DESCRIPTION</u>
NIP	N12XCXXHA333	NIPPLE 1/2" X CLOSE XXH A333
NIP	N12X2XXHA333	NIPPLE 1/2" X 2" XXH A333

SWIVEL JOINTS

<u>Line Abbrev</u>	<u>Part Number</u>	<u>MAS-Pro Oilfield Supply DESCRIPTION</u>
SWJ	SJ1/290FXF	SWIVEL JOINT 1/2" 90 DEG F X F
SWJ	SJ1290MXF3K	SWIVEL JOINT 1/2" 90 DEG M X F 3000#
SWJ	SJ3/490MXF3K	SWIVEL JOINT 3/4" 90 M X F 3000#
SWJ	SJ3/490MXM3K	SWIVEL JOINT 3/4" 90 M X M 3000#
SWJ	SJ190MXF	SWIVEL JOINT 1" M X F 90DEG (TONGS) #1698X1616
SWJ	SJ1-1/490	SWIVEL JOINT 1-1/4" M X F 90DEG (TONGS) #1698X2020

NIPPLES KING

<u>Line Abbrev</u>	<u>Part Number</u>	<u>MAS-Pro Oilfield Supply DESCRIPTION</u>
FTG	KN3/8	KING NIPPLE 3/8"
FTG	KN1/2	KING NIPPLE 1/2"
FTG	KN3/4	KING NIPPLE 3/4"
FTG	KN1	KING NIPPLE 1"
FTG	KN1-1/4	KING NIPPLE 1-1/4"
FTG	KN1-1/2	KING NIPPLE 1-1/2"
FTG	KN2	KING NIPPLE 2"
FTG	KN3	KING NIPPLE 3"
FTG	KN4	KING NIPPLE 4"
FTG	KN6	KING NIPPLE 6"
FTG	KN8	KING NIPPLE 8"
FTG	KN10	KING NIPPLE 10"

MAS-Pro Oilfield Supply, Division of 1223492 Alberta LTD.
 Red Deer - 4841-78st, T4P 15N, 403-341-5959
 GP/Clairmont - #101, 6902-98st, T8X 5A1, 780-832-9899
 Website : www.mas-prosupply.com

NIPPLES COMBINATION/ NO SCHEDULE

<u>Line Abbrev</u>	<u>Part Number</u>	<u>MAS-Pro Oilfield Supply DESCRIPTION</u>
FTG	KN3/8HX1/2NPTB	KING NIPPLE 3/8" HOSE X 1/2" NPT BRASS
FTG	N3/8BH	NIPPLE 3/8" BRASS HEX 122C
FTG	N1XB	NIPPLE 1" X BARB (KING)
FTG	N2XB	NIPPLE 2" X BARB (KING)
FTG	N4X6XHTOE	NIPPLE 4" X 6" TOE
FTG	N4X6VXBEV	NIPPLE 4" X 6" VIC X BEV
FTG	N4X6V	NIPPLE 4" X 6" VICTAULIC
FTG	N48VV	NIPPLE 4" X 8" VIC X VIC
FTG	N412VV	NIPPLE 4" X 12" VIC X VIC
FTG	N4X12V	NIPPLE 4" X 12" VICTRAULIC
FTG	N418VV	NIPPLE 4" X 18" VIC X VIC
FTG	N4X24V	NIPPLE 4" X 24" VICTAULIC
FTG	N6KXV	NIPPLE 6" KING X VIC
NIP	N6X4STDV	NIPPLE 6" X 4" STD VICTAULIC
NIP	N6X6STDV	NIPPLE 6" X 6" STD VICTAULIC
FTG	N8KXV	NIPPLE 8" KING X VIC
NIP	N8X3STDV	NIPPLE 8" X 3" STD VICTAULIC
NIP	N8X6STDV	NIPPLE 8" X 4" STD VICTAULIC
FTG	NV8	NIPPLE VIC 8"
FTG	N10KXV	NIPPLE 10" KING X VIC
FTG	NV10	NIPPLE VIC 10"

PIPE ALLUMINUM

<u>Line Abbrev</u>	<u>Part Number</u>	<u>MAS-Pro Oilfield Supply DESCRIPTION</u>
NIP	P1/2A	PIPE 1/2 "ALUMINUM STD
PIP	P440A	PIPE 4" SCH 40 ALUMINUM

PIPE ERW / T&C / STD

<u>Line Abbrev</u>	<u>Part Number</u>	<u>MAS-Pro Oilfield Supply DESCRIPTION</u>
PIP	P1/440A106	PIPE 1/4" SCH 40 A106
PIP	P1/240A106	PIPE 1/2" SCH 40 A106
PIP	P3/440	PIPE 3/4" SCH 40 A106 SMLS
PIP	P140	PIPE 1" SCH 40 A106
PIP	P1-1/440	PIPE 1-1/4" SCH 40 A106
PIP	P1-1/240	PIPE 1-1/2" SCH 40 A106
MTL	P240	PIPE 2" SCH 40 A106
PIP	P2-1/240	PIPE 2-1/2" SCH 40 A106
PIP	P3S	PIPE 3" SCH 40 A106
PIP	P31/240A106	PIPE 3-1/2" SCH 40 A106
PIP	P440A106	PIPE 4" SCH 40 A106
PIP	P5SCH40A106	PIPE 5" SCH 40 A106
PIP	P640A106	PIPE 6" SCH 40 A106
PIP	P840A106	PIPE 8" SCH 40 A106
PIP	P10S	PIPE 10" SCH 40 A106

MAS-Pro Oilfield Supply, Division of 1223492 Alberta LTD.
Red Deer - 4841-78st, T4P 1S9, 403-341-5959
GP/Clairmont - #101, 6902-98st, T8X 5A1, 780-832-9899
Website : www.mas-prosupply.com

PIPE SCH40 316

<u>Line Abbrev</u>	<u>Part Number</u>	MAS-Pro Oilfield Supply <u>DESCRIPTION</u>
PIP	P1-1/440SS316	PIPE 1-1/4" SCH 40 SS316
PIP	P1-1/240SS316	PIPE 1-1/2" SCH 40 SS316

PIPE ERW

<u>Line Abbrev</u>	<u>Part Number</u>	MAS-Pro Oilfield Supply <u>DESCRIPTION</u>
NIP	P3/4ERW	PIPE 3/4" ERW
NIP	P1ERW	PIPE 1" ERW
NIP	P1-1/4ERW	PIPE 1-1/4" ERW

PIPE SCH40 A53

<u>Line Abbrev</u>	<u>Part Number</u>	MAS-Pro Oilfield Supply <u>DESCRIPTION</u>
PIP	P349A53	PIPE 3" SCH 40 A53
PIP	P440A53	PIPE 4" SCH 40 A53
PIP	P840A53	PIPE 8" SCH 40 A53
PIP	P680A53	PIPE 6" SCH 80 A53

PIPE SCH80

<u>Line Abbrev</u>	<u>Part Number</u>	MAS-Pro Oilfield Supply <u>DESCRIPTION</u>
PIP	P3880A106	PIPE 3/8" SCH 80 A106
PIP	P1/280A106	PIPE 1/2" SCH 80 A106
PIP	P3/480	PIPE 3/4" SCH 80 A106 SMLS
PIP	P180	PIPE 1" SCH 80 A106
PIP	P1-1480	PIPE 1-1/4" SCH 80
PIP	P1-1/280	PIPE 1-1/2" SCH 80 A106
PIP	P280	PIPE 2" SCH 80 A106
PIP	P21280	PIPE 2-1/2" SCH 80 A106
PIP	P380A106	PIPE 3" SCH 80 A106
PIP	P31/280A106	PIPE 3-1/2" SCH 80 A106
PIP	P480	PIPE 4" SCH 80 A106
PIP	P680A106	PIPE 6" SCH 80 A106

PIPE SCH XH

<u>Line Abbrev</u>	<u>Part Number</u>	MAS-Pro Oilfield Supply <u>DESCRIPTION</u>
PIP	P8XHA106	PIPE 8" XH A106
PIP	P10XHA106'	PIPE 10" XH A106
PIP	P12XHA106	PIPE 12" XH A106
PIP	P16XHA106	PIPE 16" XH A106
PIP	P24XHA106	PIPE 24" XH A106

MAS-Pro Oilfield Supply, Division of 1223492 Alberta LTD.
 Red Deer - 4841-78st, T4P 15N, 403-341-5959
 GP/Clairmont - #101, 6902-98st, T8X 5A1, 780-832-9899
 Website : www.mas-prosupply.com

PIPE TRUE SCH 40 & 80

<u>Line Abbrev</u>	<u>Part Number</u>	<u>MAS-Pro Oilfield Supply DESCRIPTION</u>
NIP	P12SCH40A106	PIPE 12" SCH 40 A106
NIP	P1440	PIPE 14" SCH 40 A106
PIP	P14SCH40A106	PIPE 14" SCH 40 A106
PIP	P1080A106	PIPE 10" SCH 80 A106

PIPE SCH 160

<u>Line Abbrev</u>	<u>Part Number</u>	<u>MAS-Pro Oilfield Supply DESCRIPTION</u>
NIP	P1/2160A106	PIPE 1/2" SCH 160 A106
NIP	P1160	PIPE 1" SCH 160 A106
NIP	P1-1/2160	PIPE 1-1/2" SCH 160 A106
NIP	P2160	PIPE 2" SCH 160 A106
NIP	P212160A106	PIPE 2-1/2" SCH160 A106
NIP	P4160	PIPE 4" SCH 160 A106

PIPE SCH XXH

<u>Line Abbrev</u>	<u>Part Number</u>	<u>MAS-Pro Oilfield Supply DESCRIPTION</u>
PIP	P1XXH	PIPE 1" XXH A106
PIP	P2XXH	PIPE 2" XXH A106
PIP	P3XXH	PIPE 3" XXH A106
PIP	P4XXH	PIPE 4" XXH A106
PIP	P5XXHA106	PIPE 5" XXH A106
PIP	P8XXHA106	PIPE 8" XXH A106

PIPE/ TUBING SPECIALITY

<u>Line Abbrev</u>	<u>Part Number</u>	<u>MAS-Pro Oilfield Supply DESCRIPTION</u>
NIP	P4359	PIPE 4" 3.2 GRADE 359 CAT2YJ
NIP	P6.125	PIPE 6" X.0125 WALL
NIP	PVC1-1/2	PIPE PVC 1-1/2"
NIP	PVC4F	PIPE PVC 4" AND FITTINGS
NIP	PTNA50300170016	PLASTIC TUBING-NATURAL 1/4" X 0.170 ID
NIP	PTNA50300250024	PLASTIC TUBING-NATURAL 3/8"
NIP	PVC3	PVC PIPE 3"
NIP	P2T&C	PIPE 2" T&C
FTG	CTT1/2049	CARBON TUBING 1/2" SEAMLESS .049 WALL
STD	CTT3/4049	CARBON TUBING 3/4" SEAMLESS .049 WALL
NIP	T1H	TUBING 1" HYDRAULIC
NIP	T1-1/2H	TUBING 1-1/2" HYDRAULIC
NIP	T33/16	TUBING 3-3/16" WALL SEAMLESS

MAS-Pro Oilfield Supply, Division of 1223492 Alberta LTD.

Red Deer - 4841-78st, T4P 1S9, 403-341-5959

GP/Clairmont - #101, 6902-98st, T8X 5A1, 780-832-9899

Website : www.mas-prosupply.com

PLUGS BLK

<u>Line Abbrev</u>	<u>Part Number</u>	<u>MAS-Pro Oilfield Supply DESCRIPTION</u>
PIP	BMP1/2	BLACK MALUABLE PLUG 1/2"
PIP	P3/4B	PLUG 3/4" BLACKMAL
PIP	P1B	PLUG 1" BLACKMAL
PIP	P1-1/2BL	PLUG 1-1/2" BLACKMAL
PIP	P2B	PLUG 2" BLACKMAL
NIP	P3B	PLUG 3" BLACKMAL
PIP	P4B	PLUG 4" BLACKMAL
PIP	P6B	PLUG 6" BLACKMAL

STD PLUGS BULL

<u>Line Abbrev</u>	<u>Part Number</u>	<u>MAS-Pro Oilfield Supply DESCRIPTION</u>
C&C	03-BPSTDTHD	BULL PLUG 3" STD"
FTG	BP4S	BULL PLUG 4" STD

XH PLUGS BULL

C&C	0.25-BPXHTHD	BULL PLUG 1/4" XH
C&C	0.5-BPXHTHD	BULL PLUG 1/2" XH
C&C	0.75-BPXHTHD	BULL PLUG 3/4" XH
C&C	01-BPXHTHD	BULL PLUG 1" XH
C&C	01.5-BPXHTHD	BULL PLUG 1-1/2" XH
C&C	BP200000HSE	BULL PLUG 2" XH"
C&C	03-BPXHTHD	BULL PLUG 3" XH
FTG	BP4XH	BULL PLUG 4" XH

XH TAPPED PLUGS BULL

C&C	BP200050HSE	BULL PLUG 2" XH TAPPED 1/2"
C&C	03-BPXHTHD-TAP	BULL PLUG 3" XH TAPPED 1/2"

XXH & SOLID PLUGS BULL

FTG	BP2S	BULL PLUG 2" SOLID
C&C	02-BPXXHTHD	BULL PLUG 2" XXH"
FTG	BP2X1/2XXH	BULL PLUG 2" XXH TAPPED 1/2"

PLUGS CARBON Carbon Steel

<u>Line Abbrev</u>	<u>Part Number</u>	<u>MAS-Pro Oilfield Supply DESCRIPTION</u>
PIP	CPA4-CS	CS 1/4" PLUG
PIP	CPA6-CS	CS 3/8" PLUG

MAS-Pro Oilfield Supply, Division of 1223492 Alberta LTD.
 Red Deer - 4841-78st, T4P 1S9, 403-341-5959
 GP/Clairmont - #101, 6902-98st, T8X 5A1, 780-832-9899
 Website : www.mas-prosupply.com

PLUGS CARBON STAINLESS

<u>Line Abbrev</u>	<u>Part Number</u>	<u>MAS-Pro Oilfield Supply DESCRIPTION</u>
PIP	CPA4-S316	SS 1/4" PLUG
PIP	CPA6-S316	SS 3/8" PLUG
PIP	CPA8-S316	SS 1/2" PLUG

PLUGS COUNTER SINK

<u>Line Abbrev</u>	<u>Part Number</u>	<u>MAS-Pro Oilfield Supply DESCRIPTION</u>
PIP	P3/8CS	PLUG 3/8" COUNTER SINK
PIP	P3/4CS	PLUG 3/4" COUNTER SINK
PIP	P1/2CS	PLUG 1/2" COUNTER SINK
PIP	P1CS	PLUG 1" COUNTER SINK

PLUGS FORGED STEEL

<u>Line Abbrev</u>	<u>Part Number</u>	<u>MAS-Pro Oilfield Supply DESCRIPTION</u>
PIP	FSP1/8	F.S HEX PLUG 1/8" A105
PIP	FSP1/4	F.S HEX PLUG 1/4" A105
PIP	FSP3/8	F.S HEX PLUG 3/8" A105
PIP	FSP1/2	F.S HEX PLUG 1/2" A105
PIP	FSP3/4	F.S HEX PLUG 3/4" A105
PIP	FSP1	F.S HEX PLUG 1" A105
PIP	FSP1-1/4	F.S HEX PLUG 1-1/4" A105
PIP	FSP1-1/2	F.S HEX PLUG 1-1/2" A105
PIP	FSP2	F.S HEX PLUG 2" A105
PIP	FSP3	F.S HEX PLUG 3" A105
PIP	FSP4	F.S HEX PLUG 4" A105

MAS-Pro Oilfield Supply, Division of 1223492 Alberta LTD.
 Red Deer - 4841-78st, T4P 15N, 403-341-5959
 GP/Clairmont - #101, 6902-98st, T8X 5A1, 780-832-9899
 Website : www.mas-prosupply.com

PLUGS FORGED STEEL LF2

<u>Line Abbrev</u>	<u>Part Number</u>	<u>MAS-Pro Oilfield Supply DESCRIPTION</u>
FTG	FSP1/2A333	F.S HEX PLUG 1/2" LF2
PIP	FSP2A333	F.S HEX PLUG 2" A333 LF2

SWAGES STD

<u>Line Abbrev</u>	<u>Part Number</u>	<u>MAS-Pro Oilfield Supply DESCRIPTION</u>
FTG	SN200100STBE	2" X 1" STD SWAGE TBE
FTG	SN200125STBE	2" X 1-1/4" SWAGE STD TBE
PIP	SN200150STBE	2" X 1-1/2" SWAGE STD TBE
FTG	SN250200STBE	2-1/2" X 2" SWAGE STD TBE
FTG	SN300100STBE	3" X 1" SWAGE STD TBE
FTG	SN300200STBE	3" X 2" SWAGE STD TBE
FTG	SN300250STBE	3" X 2-1/2" SWAGE STD TBE
FTG	S4X1ST	SWAGE 4" X 1" STD
FTG	SN400200STBE	4" X 2" SWAGE STD TBE
FTG	SN400300STBE	4" X 3 SWAGE STD TBE
FTG	SN500400STBE	5" X 4" SWAGE STD TBE
FTG	SN600300STBE	6" X 3 SWAGE STD TBE
FTG	SN600400STBE	6" X 4" SWAGE STD TBE
FTG	SN800600STBE	8" X 6" SWAGE STD TBE

Division of 1223492 Alberta Ltd.

MAS-Pro Oilfield Supply, Division of 1223492 Alberta LTD.
Red Deer - 4841-78st, T4P 15N, 403-341-5959
GP/Clairmont - #101, 6902-98st, T8X 5A1, 780-832-9899
Website : www.mas-prosupply.com

SWAGES XH

<u>Line Abbrev</u>	<u>Part Number</u>	<u>MAS-Pro Oilfield Supply DESCRIPTION</u>
FTG	SN008025HTBE	1/4" X 1/8" SWAGE XH TBE
FTG	SN037025HTBE	3/8" X 1/4" SWAGE XH TBE
FTG	SN050025HTBE	1/2" X 1/4" SWAGE XH TBE
FTG	SN050037HTBE	1/2" X 3/8" SWAGE XH TBE
FTG	SN075025HTBE	3/4" X 1/4" SWAGE XH TBE
FTG	SN075037HTBE	3/4" X 3/8" SWAGE XH TBE
FTG	SN075050HTBE	3/4" X 1/2" SWAGE XH TBE
PMP	SN100025HTBE	1" X 1/4" SWAGE XH TBE
FTG	SN100037HTBE	1" X 3/8" SWAGE XH TBE
FTG	SN100050HTBE	1" X 1/2" SWAGE XH TBE
PIP	SN100075HTBE	1" X 3/4" SWAGE XH TBE
C&C	S1-1/4X1/4XH	SWAGE 1-1/4" X 1/4" XH
C&C	S1-1/4X3/8XH	SWAGE 1-1/4" X 3/8" XH
C&C	S1-1/4X1/2XH	SWAGE 1-1/4" X 1/2" XH
FTG	SN125075HTBE	1-1/4" X 3/4" SWAGE XH TBE
FTG	SN125100HTBE	1-1/4" X 1" SWAGE XH TBE
C&C	S1-1/2X1/2XH	SWAGE 1-1/2" X 1/2" XH
FTG	SN150075HTBE	1-1/2" X 3/4" SWAGE XH TBE
FTG	SN150100HTBE	1-1/2" X 1" SWAGE XH TBE
FTG	SN150125HTBE	1-1/2" X 1-1/4" SWAGE XH TBE
C&C	S2X1/4XH	SWAGE 2" X 1/4" XH
FTG	SN200050HTBE	2" X 1/2" SWAGE XH TBE
FTG	SN200075HTBE	2" X 3/4" SWAGE XH TBE
FTG	SN200100HTBE	2" X 1" SWAGE XH TBE
C&C	S2X1-1/4XH	SWAGE 2" X 1-1/4" XH
FTG	SN200125HTBE	2" X 1-1/4" SWAGE XH TBE
FTG	SN200150HTBE	2" X 1-1/2" SWAGE XH TBE
FTG	SN250200HTBE	2-1/2" X 2" SWAGE XH TBE
FTG	SN300100HTBE	3" X 1" SWAGE XH TBE
STL	SN300150HTBE	3" X 1-1/2" SWAGE XH TBE
FTG	SN300200HTBE	3" X 2" SWAGE XH TBE
NIP	SN300250HTBE	3" X 2-1/2" SWAGE XH TBE
FTG	SN400100HTBE	4" X 1" SWAGE XH TBE
FTG	SN400200HTBE	4" X 2" SWAGE XH TBE
C&C	SN400300HTBE	4" X 3 SWAGE XH TBE
C&C	SN500400HTBE	5" X 4 SWAGE XH TBE
C&C	SN600200HTBE	6" X 2 SWAGE XH TBE
C&C	SN600300HTBE	6" X 3" SWAGE XH TBE
C&C	SN600400HTBE	6" X 4" SWAGE XH TBE
C&C	SN800600HTBE	8" X 6" SWAGE XH TBE

MAS-Pro Oilfield Supply, Division of 1223492 Alberta LTD.
Red Deer - 4841-78st, T4P 15N, 403-341-5959
GP/Clairmont - #101, 6902-98st, T8X 5A1, 780-832-9899
Website : www.mas-prosupply.com

SWAGES 160

<u>Line Abbrev</u>	<u>Part Number</u>	<u>MAS-Pro Oilfield Supply DESCRIPTION</u>
PIP	S1X1/2SCH160	SWAGE 1" X 1/2" SCH160
PIP	S2 X1 SCH160	SWAGE 2" X 1" SCH160
PIP	S2NPTX1B160	SWAGE 2" X 1" SCH160 THREAD X BEVEL

SWAGES XXH

<u>Line Abbrev</u>	<u>Part Number</u>	<u>MAS-Pro Oilfield Supply DESCRIPTION</u>
C&C	S1/2X2XXH	SWAGE 1/2" X 2" XXH
C&C	S1/2X2XXHLF2	SWAGE 1/2" X 2" XXH Lf2
C&C	S1X1/2XXH	SWAGE 1" X 1/2" XXH
C&C	SWG1121XXH	SWAGE 1-1/2" X 1" XXH
MS3	SN200100XTBE	2" X 1" SWAGE XXH TBE
C&C	SN300200XTBE	3" X 2" SWAGE XXH TBE
C&C	SN400200XTBE	4" X 2" SWAGE XXH TBE
C&C	SN400300XTBE	4" X 3 SWAGE XXH TBE

SWAGES SPECIALITY

<u>Line Abbrev</u>	<u>Part Number</u>	<u>MAS-Pro Oilfield Supply DESCRIPTION</u>
PIP	S78RNDX2LPXH	SWAGE 7/8" RND X 2" LP XH
PIP	S2X6V43	SWAGE VICRAULIC 2" X 6 #43
PIP	S4X6V40	SWAGE VICRAULIC 4" X 6" #40
PIP	S4X6V43	SWAGE VICRAULIC 4" X 6" #43

MAS-Pro Oilfield Supply, Division of 1223492 Alberta LTD.
Red Deer - 4841-78st, T4P 15N, 403-341-5959
GP/Clairmont - #101, 6902-98st, T8X 5A1, 780-832-9899
Website : www.mas-prosupply.com

TEES BLK

<u>Line Abbrev</u>	<u>Part Number</u>	MAS-Pro Oilfield Supply <u>DESCRIPTION</u>
FTG	T3/4BLK	TEE 3/4" BLACKMAL THD
C&C	T1BLK	TEE 1" BLACKMAL
FTG	T2BLK	TEE 2" BLACKMAL THD
C&C	T2X1BLK	RED. TEE 2" X 1" BLACKMAL THD
FTG	T3BLK	TEE 3" BLACKMAL
FTG	T4BLK	TEE 4" BLACKMAL THD
FTG	T6BLK	TEE 6" BLACKMAL

TEES FORGED STEEL 2000#

<u>Line Abbrev</u>	<u>Part Number</u>	MAS-Pro Oilfield Supply <u>DESCRIPTION</u>
C&C	T1/42K	TEE 1/4" 2000# A105 THD
C&C	T3/82K	TEE 3/8" 2000# A105 THD
C&C	T1/22K	TEE 1/2" 2000# A105 THD
C&C	T3/42K	TEE 3/4" 2000# A105 THD
C&C	T12K	TEE 1" 2000# A105 THD
C&C	T1-1/42K	TEE 1-1/4" 2000# A105 THD
C&C	T1-1/22K	TEE 1-1/2" 2000# A105 THD
C&C	T22K	TEE 2" 2000# A105 THD
C&C	T32K	TEE 3" 2000# A105 THD
C&C	T42K	TEE 4" 2000# A105 THD

TEES FORGED STEEL 3000#

<u>Line Abbrev</u>	<u>Part Number</u>	MAS-Pro Oilfield Supply <u>DESCRIPTION</u>
C&C	T1/43K	TEE 1/4" 3000# A105 THD
C&C	T3/83K	TEE 3/8" 3000#
C&C	T1/23K	TEE 1/2" 3000# A105 THD
C&C	T3/43K	TEE 3/4" 3000# A105 THD
C&C	T13K	TEE 1" 3000# A105 THD
C&C	T1-1/43K	TEE 1-1/4" 3000# A105 THD
C&C	T1-1/23K	TEE 1-1/2" 3000# A105 THD
C&C	T23K	TEE 2" 3000# A105 THD
C&C	T33K	TEE 3" 3000# A105 THD

MAS-Pro Oilfield Supply, Division of 1223492 Alberta LTD.
 Red Deer - 4841-78st, T4P 15N, 403-341-5959
 GP/Clairmont - #101, 6902-98st, T8X 5A1, 780-832-9899
 Website : www.mas-prosupply.com

TEES FORGED STEEL 3000# LF2

<u>Line Abbrev</u>	<u>Part Number</u>	<u>MAS-Pro Oilfield Supply DESCRIPTION</u>
FTG	T123MA350	TEE 1/2" 3000# A350 LF2 THD
FTG	T143MA350	TEE 1/4" 3000# A350 LF2 THD

TEES FORGED STEEL 6000#

<u>Line Abbrev</u>	<u>Part Number</u>	<u>MAS-Pro Oilfield Supply DESCRIPTION</u>
C&C	T1/26K	TEE 1/2" 6000# A105 THD
C&C	T16K	TEE 1" 6000# A105 THD
C&C	T1126K	TEE 1-1/2" 6000# A105 THD
C&C	T26K	TEE 2" 6000# A105 THD
C&C	T36K	TEE 3" 6000# A105 THD

TEES SPECIALITY

<u>Line Abbrev</u>	<u>Part Number</u>	<u>MAS-Pro Oilfield Supply DESCRIPTION</u>
C&C	CTA6-CS	CS 3/8" UNION TEE
C&C	T3/815KFFF	TEE 3/8" 15000#FXFXF
C&C	T3/815KS	TEE 3/8" 15000#MXFXF

Division of 1223492 Alberta Ltd.

WELD CAPS STD

MAS-Pro Oilfield Supply, Division of 1223492 Alberta LTD.
Red Deer - 4841-78st, T4P 1S9, 403-341-5959
GP/Clairmont - #101, 6902-98st, T8X 5A1, 780-832-9899
Website : www.mas-prosupply.com

<u>Line Abbrev</u>	<u>Part Number</u>	MAS-Pro Oilfield Supply <u>DESCRIPTION</u>
FTG	WC140	WELD CAP 1" STD WPB
FTG	WC1-1/240	WELD CAP 1-1/2" STD WPB
FTG	WC240	WELD CAP 2" STD WPB
FTG	WC340	WELD CAP 3" SCH 40
FTG	WC4SCH40	WELD CAP 4" SCH 40
FTG	WC5SCH40WPB	WELD CAP 5" SCH40 WPB
FTG	WC640	WELD CAP 6" SCH 40
FTG	WC840	WELD CAP 8" SCH 40
FTG	WC60STD	WELD CAP 60" STD

WELD CAPS XH

<u>Line Abbrev</u>	<u>Part Number</u>	MAS-Pro Oilfield Supply <u>DESCRIPTION</u>
FTG	WC280	WELD CAP 2" XH WPB
FTG	WC380	WELD CAP 3" XH WPB
FTG	C4XHW	WELD CAP 4" XH WPB
FTG	C6XHW	WELD CAP 6" XH WPB
FTG	WC880	WELD CAP 8" SCH 80

WELD CAPS 160

<u>Line Abbrev</u>	<u>Part Number</u>	MAS-Pro Oilfield Supply <u>DESCRIPTION</u>
FTG	WC2160	WELD CAP 2" SCH160 WPB
FTG	WC3160	WELD CAP 3" SCH 160
FTG	WC4160	WELD CAP 4" SCH 160

WELD CAPS XXH

<u>Line Abbrev</u>	<u>Part Number</u>	MAS-Pro Oilfield Supply <u>DESCRIPTION</u>
FTG	WC2XXH	WELD CAP 2" XXH WPB
FTG	WC3XXH	WELD CAP 3" XXH
FTG	WC4XXH	WELD CAP 4" XXH
FTG	WC5XXH	WELD CAP 5" XXH
FTG	WC6XXHWPB	WELD CAP 6" XXH WPB

WELDING CAPS SPECIAL

<u>Line Abbrev</u>	<u>Part Number</u>	MAS-Pro Oilfield Supply <u>DESCRIPTION</u>
STL	WCMLW230-538	WELDING CAPS #MLW230-538
FTG	WCMLW230-539	WELDING CAPS #MLW230-539
FTG	WCMLW230-542	WELDING CAPS #MLW230-542
FTG	WCMLW230-545	WELDING CAPS #MLW230-545
STD	WC4423R-2	WELDING CAP #PRS4423R-2
FTG	WC-470	WELDING CAP #WC-470

MAS-Pro Oilfield Supply, Division of 1223492 Alberta LTD.
Red Deer - 4841-78st, T4P 1S1N, 403-341-5959
GP/Clairmont - #101, 6902-98st, T8X 5A1, 780-832-9899
Website : www.mas-prosupply.com

WELD CONC STD

<u>Line Abbrev</u>	<u>Part Number</u>	<u>MAS-Pro Oilfield Supply DESCRIPTION</u>
FTG	C2X1STD	CONC REDUCER 2" X 1" WELD STD
FTG	C3X1STD	CONC REDUCER 3" X 1" WELD STD
FTG	C3X2STD	CONC REDUCER 3" X 2" WELD STD
FTG	C3X2-1/2STD	CONC REDUCER 3" X 2-1/2" WELD STD
FTG	C4X2STD	CONC REDUCER 4" X 2" WELD STD
FTG	C4X3STD WPB	CONC REDUCER 4" X 3" WELD STD
FTG	C4X3STD316	CONC REDUCER 4" X 3" WELD STD 316SS
FTG	C5X2STD	CONC REDUCER 5" X 2" WELD STD
FTG	C5X4STDWPB	CONC REDUCER 5" X 4" WELD STD
FTG	C6X3STD	CONC REDUCER 6" X 3" WELD STD
FTG	C6X4STD	CONC REDUCER 6" X 4" WELD STD
STL	C6X5STD	CONC REDUCER 6" X 5" WELD STD
FTG	C8X5	CONC REDUCER 8" X 5" WELD STD
FTG	C8X6	CONC REDUCER 8" X 6" WELD STD
FTG	CR10X6STD	CONC RED. 10" X 6" STD WPB
FTG	C8X10	CONC RED. 10" X 8" STD WPB
FTG	C12X8CRSTD	CONC REDUCER 12" X 8" STD WPB
FTG	C12X10STD	CONC REDUCER 12" X 10" WELD STD

WELD CONC TRUE SCH 40

<u>Line Abbrev</u>	<u>Part Number</u>	<u>MAS-Pro Oilfield Supply DESCRIPTION</u>
FTG	C12X1040WPB	CONC REDUCER 12" X 10" SCH40 WPB
FTG	C14X1240WPB	CONC REDUCER 14" X 12" SCH40 WPB

WELD CONC XH

<u>Line Abbrev</u>	<u>Part Number</u>	<u>MAS-Pro Oilfield Supply DESCRIPTION</u>
FTG	C2X1X	CONC REDUCER 2" X 1" WELD XH
FTG	C3X2X	CONC REDUCER 3" X 2" XH WPB
FTG	C4X2XH	CONC RED. 4" X 2" XH WPB
FTG	C4X3XH WPB	CONC REDUCER 4" X 3" WELD XH
FTG	C5X4XHWPB	CONC RED. 5" X 4" XH WPB
FTG	C6X3XH	CONC REDUCER 6" X 3" XH
FTG	C6X4XH	CONC 6" X 4" XH WPB
FTG	C8X4XH	CONC REDUCER 8" X 4" XH
FTG	C8X5XHWPB	CONC REDUCER 8" X 5" WELD XH WPB
FTG	C8X6XH	CONC REDUCER 8" X 6" XH
FTG	C10X6XH	CONC REDUCER 10" X 6" XH
FTG	C10X8XH	CONC REDUCER 10" X 8" XH
FTG	C12X8XH	CONC REDUCER 12" X 8" XH
FTG	C12X10XHWPB	CONC RED. 12" X 10" XH WPB

WELD CONC XXH

<u>Line Abbrev</u>	<u>Part Number</u>	<u>MAS-Pro Oilfield Supply DESCRIPTION</u>
--------------------	--------------------	--

MAS-Pro Oilfield Supply, Division of 1223492 Alberta LTD.
Red Deer - 4841-78st, T4P 1S1N, 403-341-5959
GP/Clairmont - #101, 6902-98st, T8X 5A1, 780-832-9899
Website : www.mas-prosupply.com

FTG	C4X2XXH	CONC REDUCER 4" X 2" WELD XXH
FTG	C5X2XXH	CONC REDUCER 5" X 2" WELD XXH
FTG	C5X4XXH	CONC REDUCER 5" X 4" WELD XXH
FTG	C6X2XXHWPB	CONC REDUCER 6" X 2" XXH WPB
FTG	C6X3XXH	CONC REDUCER 6" X 3" XXH WELD WPB
STL	C6X4XXH	CONC REDUCER 6" X 4" WELD XXH

WELD CROSS

<u>Line Abbrev</u>	<u>Part Number</u>	<u>MAS-Pro Oilfield Supply DESCRIPTION</u>
FTG	C2160	CROSS 2" WELD SCH 160
FTG	C2XXH	CROSS 2" WELD XXH
C&C	C4XHWPB	CROSS 4" XH WPB
FTG	CR4XXH	CROSS 4" WELD XXH

WELD ECC STD & XH

<u>Line Abbrev</u>	<u>Part Number</u>	<u>MAS-Pro Oilfield Supply DESCRIPTION</u>
FTG	E4X3	ECC REDUCER 4" X 3" WELD STD
FTG	E5X2STD	ECC REDUCER 5" X 2" WELD STD
FTG	E8X6	ECC REDUCER 10" X 8" WELD STD
FTG	E5X4	ECC REDUCER 5" X 4" WELD STD
FTG	E6X4XH	ECC REDUCER 6" X 4" XH WPB
FTG	E8X6XH	ECC REDUCER 8" X 6" XH

STD 45 DEG WELD ELBOW STD

<u>Line Abbrev</u>	<u>Part Number</u>	<u>MAS-Pro Oilfield Supply DESCRIPTION</u>
FTG	E3/4STDW	ELBOW 3/4" STD WELD
FTG	E2STD45	ELBOW 2" STD 45 DEG WPB
FTG	E3STD45	ELBOW 3" STD 45 WPB
FTG	E4STD45	ELBOW 4" WELD STD 45
FTG	E6STD45	ELBOW 6" WELD STD 45
FTG	E8STD45	ELBOW 8" WELD STD 45
FTG	E10SCH4045	ELBOW 10" STD 45 WPB
FTG	E14STD45	ELBOW 14" WELD STD 45

STD LF2 WELD ELBOW STD

<u>Line Abbrev</u>	<u>Part Number</u>	<u>MAS-Pro Oilfield Supply DESCRIPTION</u>
FTG	E2STDLF2	ELBOW 2" STD LF2 WELD
FTG	E4STDLF2	ELBOW 4" STD LF2 WELD
FTG	E4STDLF2SR	ELBOW 4" STD LF2 WELD SHORT RADIUS

MAS-Pro Oilfield Supply, Division of 1223492 Alberta LTD.
 Red Deer - 4841-78st, T4P 15N, 403-341-5959
 GP/Clairmont - #101, 6902-98st, T8X 5A1, 780-832-9899
 Website : www.mas-prosupply.com

STD LONG RADIUS WELD ELBOW STD

<u>Line Abbrev</u>	<u>Part Number</u>	<u>MAS-Pro Oilfield Supply DESCRIPTION</u>
FTG	E1STDW	ELBOW 1" LR STD WPB
FTG	E2STD	ELBOW 2" STD LR 90 WPB
FTG	E3STDLR	ELBOW 3" STD LR 90 WPB
FTG	E4STDLR	ELBOW 4" STD LR 90 WPB
FTG	E5STD	ELBOW 5" STD WELD
FTG	E6X4STDR	ELBOW 6" X 4" STD 90 WPB REDUCING
FTG	E6STD	ELBOW 6" STD LR 90 WPB
FTG	E8STDLR	ELBOW 8" WELD STD LR
FTG	E10SCH40LR	ELBOW 10" WELD LONG RADIOUS STD

STD SHORT RADIUS WELD ELBOW STD

<u>Line Abbrev</u>	<u>Part Number</u>	<u>MAS-Pro Oilfield Supply DESCRIPTION</u>
FTG	E1STDSR	ELBOW 1" WELD STD SHORT RADIUS
FTG	E2STDSR	ELBOW 2" WELD STD SHORT RADIUS
FTG	E3STDSR	ELBOW 3" STD SR 90 WPB
FTG	E4STDSR	ELBOW 4" STD SR 90 WPB
MS3	E5STDSR	ELBOW 5" STD WELD SHORT RADIUS
FTG	E6STDSR	ELBOW 6" WELD STD SHORT RADIUS
FTG	E8STDSR	ELBOW 8" STD SR 90 WPB
FTG	E10STDSR	ELBOW 10" STD SR 90 WPB
FTG	E12STDSR	ELBOW 12" STD SR 90 WPB

STD 180 DEG WELD ELBOW STD

<u>Line Abbrev</u>	<u>Part Number</u>	<u>MAS-Pro Oilfield Supply DESCRIPTION</u>
FTG	E2STD180	ELBOW 2" STD 180DEG WPB
FTG	E3STD180	ELBOW 3" STD 180 WPB
FTG	E4STD180W	ELBOW 4" STD 180DEG WPB

MAS-Pro Oilfield Supply, Division of 1223492 Alberta LTD.
 Red Deer - 4841-78st, T4P 15N, 403-341-5959
 GP/Clairmont - #101, 6902-98st, T8X 5A1, 780-832-9899
 Website : www.mas-prosupply.com

WELD ELBOW XH

<u>Line Abbrev</u>	<u>Part Number</u>	<u>MAS-Pro Oilfield Supply DESCRIPTION</u>
FTG	E1XHLRWPB	ELBOW 1" XH LR WPB
FTG	E1-1/2XH	ELBOW 1-1/2" XH WELD
FTG	E1-1/2XHS	ELBOW 1-1/2" XH WELD SR
FTG	E2XH180	ELBOW 2" XH 180 DEG WPB
FTG	E2XH45	ELBOW 2" XH 45 DEG WPB
FTG	E2XH	ELBOW 2" XH LR 90 WPB
FTG	BW2XH90E	WELD ELBOW 2" XH 90 DEG
FTG	E2XHWPL6	ELBOW 2" XH LR 90 WPL6
FTG	E2XHSR	ELBOW 2" XH WELD SHORT RADIUS
FTG	E2-1/2XH45	ELBOW 2-1/2" XH 45 WPB
FTG	E3LT	ELBOW 3" SCH 80 LOW TEMP.
FTG	E3XH45	ELBOW 3" XH 45 DEG WPB
FTG	E3XH	ELBOW 3" XH LR 90 WPB
FTG	E3XHSR	ELBOW 3" XH SR 90 WPB
FTG	E4X45	ELBOW 4" XH 45 WPB
FTG	E4XHLF2	ELBOW 4" XH LR 90 LF2
FTG	E4XHW	ELBOW 4" XH LR 90 WPB
FTG	E4XHSR	ELBOW 4" XH SR 90 WPB
FTG	E5XHSR	ELBOW 5" XH SR 90 WPB
FTG	E6XH45	ELBOW 6" XH 45 WPB
FTG	E6XH	ELBOW 6" XH LR 90 WPB
FTG	E6XHSR	ELBOW 6" XH SR 90 WPB
FTG	E8XH22.5	ELBOW 8" XH 22.5 WPB
FTG	E8XH45	ELBOW 8" XH 45 WPB
FTG	E8XHLR	ELBOW 8" XH LR 90 WPB
FTG	E8XHSR	ELBOW 8" XH SR 90 WPB
FTG	E10XH45	ELBOW 10" WELD 45DEG XH
FTG	E10XHLR	ELBOW 10" WELD XH LR
FTG	E12XHLR	ELBOW 12" XH 90DEG LR

Division of 1223492 Alberta Ltd.

WELD ELBOW TRUE SCH 80

<u>Line Abbrev</u>	<u>Part Number</u>	<u>MAS-Pro Oilfield Supply DESCRIPTION</u>
FTG	E1080LR90	ELBOW 10" SCH80 LR 90 WPB
FTG	E1080SR90	ELBOW 10" SCH80 SR 90 WPB
FTG	E124580WPB	ELBOW 12" 45DEG SCH80 WPB
FTG	E1280LR90WPB	ELBOW 12" SCH80 LR 90 WPB

MAS-Pro Oilfield Supply, Division of 1223492 Alberta LTD.
 Red Deer - 4841-78st, T4P 1S1N, 403-341-5959
 GP/Clairmont - #101, 6902-98st, T8X 5A1, 780-832-9899
 Website : www.mas-prosupply.com

WELD ELBOW 160

<u>Line Abbrev</u>	<u>Part Number</u>	<u>MAS-Pro Oilfield Supply DESCRIPTION</u>
FTG	E2160SR	ELBOW 2" SCH160 SR
FTG	E216045	ELBOW 2" SCH160 WELD 45DEG
FTG	E2160	ELBOW 2" SCH160 WELD WPB

WELD ELBOW XXH

<u>Line Abbrev</u>	<u>Part Number</u>	<u>MAS-Pro Oilfield Supply DESCRIPTION</u>
FTG	E2XXH180	ELBOW 2" XXH 180DEG WPB
FTG	E2XXH45	ELBOW 2" XXH 45 WPB
FTG	E2XXH	ELBOW 2" XXH LR 90 WPB
FTG	E2XXHSR	ELBOW 2" XXH WELD WPB SHORT RADIUS
FTG	RB2XXH	RETURN BEND 180 2" XXH
FTG	E3XXH180	ELBOW 3" XXH 180DEG WPB
FTG	E3XXH45	ELBOW 3" XXH 45 WPB
FTG	E4K45XXHLF2W	ELBOW 4" XXH 45 LF2
FTG	E4XXH45WPB	ELBOW 4" XXH 45 WPB
FTG	E4XXHWPB	ELBOW 4" XXH LR 90 WPB
FTG	E5XXH45W	ELBOW 5" XXH 45 WPB

ELBOW-LET STD 3000#

<u>Line Abbrev</u>	<u>Part Number</u>	<u>MAS-Pro Oilfield Supply DESCRIPTION</u>
FTG	EL1/23K	ELBOW LET 1/2" 3000
FTG	EL3/43K	ELBOW LET 3/4" 3000
FTG	EL13K	ELBOW LET 1" 3000

Division of 1223492 Alberta Ltd.

SOCKOLET STD 3000#

MAS-Pro Oilfield Supply, Division of 1223492 Alberta LTD.
 Red Deer - 4841-78st, T4P 1S9, 403-341-5959
 GP/Clairmont - #101, 6902-98st, T8X 5A1, 780-832-9899
 Website : www.mas-prosupply.com

<u>Line Abbrev</u>	<u>Part Number</u>	MAS-Pro Oilfield Supply <u>DESCRIPTION</u>
FTG	SOL23K	SOCK O LET 2" 3000

THREAD-OLET STD 3000#

<u>Line Abbrev</u>	<u>Part Number</u>	MAS-Pro Oilfield Supply <u>DESCRIPTION</u>
FTG	TOL1/2	THREAD O LET 1/2
FTG	TOL3/43	THREAD O LET 3/4" 3000#
FTG	TOL13	THREAD O LET 1" 3000#
FTG	TOL23	THREAD O LET 2" 3000#
FTG	TOL33	THREAD O LET 3" 3000#
FTG	TOL43K	THREAD O LET 4" 3000#

THREAD-OLET STD 6000#

<u>Line Abbrev</u>	<u>Part Number</u>	MAS-Pro Oilfield Supply <u>DESCRIPTION</u>
FTG	TOL1/26K	THREAD O LET 1/2 6000#
FTG	TOL1XXH	THREAD O LET 1 XXH
FTG	TOL2XXH	THREAD O LET 2 XXH

THREAD-OLET LF2 3000#

<u>Line Abbrev</u>	<u>Part Number</u>	MAS-Pro Oilfield Supply <u>DESCRIPTION</u>
FTG	TOL1/43LF2	THREAD O LET 1/4" 3000# LF2
FTG	TOL23A350LF2	THREAD O LET 2" 3000# A350 LF2

WELD-OLET XH

<u>Line Abbrev</u>	<u>Part Number</u>	MAS-Pro Oilfield Supply <u>DESCRIPTION</u>
FTG	WOL3/4	WELD O LET 3/4"
FTG	WOL1	WELD O LET 1"
FTG	WOL2XH	WELD O LET 2" XH
FTG	WOL3XH	WELD O LET 3" ON 8"-14" XH
FTG	WOL4 ON16	WELD O LET 4" ON 16"
FTG	WOL4 ON36	WELD O LET 4" ON 36"
FTG	WOL4ON4	WELD O LET 4" ON 4"

WELD-OLET XXH

<u>Line Abbrev</u>	<u>Part Number</u>	MAS-Pro Oilfield Supply <u>DESCRIPTION</u>
FTG	WOL1/2XXH	WELD O LET 1/2" XXH
FTG	WOL2XXH	WELD O LET 2" XXH
FTG	WOL3XXH	WELD O LET 3" XXH

MAS-Pro Oilfield Supply, Division of 1223492 Alberta LTD.
 Red Deer - 4841-78st, T4P 15N, 403-341-5959
 GP/Clairmont - #101, 6902-98st, T8X 5A1, 780-832-9899
 Website : www.mas-prosupply.com

WELD TEE STD

<u>Line Abbrev</u>	<u>Part Number</u>	MAS-Pro Oilfield Supply <u>DESCRIPTION</u>
FTG	T1WSTD	TEE 1" STD WPB
FTG	T2STDW	TEE 2" STD WPB
FTG	T3STDW	TEE 3" STD WPB
FTG	T4STDW	TEE 4" STD WPB
FTG	T6STDW	TEE 6" STD WPB
FTG	T8STDW	TEE 8" STD WELD
FTG	T8X6RSTD	TEE 8" X 6" REDUCING STD
FTG	T1040WPB	TEE 10 SCH40 WELD WPB
FTG	T10STDW	TEE 10 STD WELD

WELD TEE XH

<u>Line Abbrev</u>	<u>Part Number</u>	MAS-Pro Oilfield Supply <u>DESCRIPTION</u>
FTG	T2XH	TEE 2" XH WPB
FTG	T3XHW	TEE 3" XH WELD
FTG	T4XW	TEE 4" XH WELD WPB
FTG	T6XHW	TEE 6" XH WELD
FTG	T8XH	TEE 8" WELD XH
FTG	T10XH	TEE 10" WELD XH

WELD TEE TRUE SCH 40 / 80

<u>Line Abbrev</u>	<u>Part Number</u>	MAS-Pro Oilfield Supply <u>DESCRIPTION</u>
FTG	T1240WPB	TEE 12" SCH40 WPB
FTG	T1080WPB	TEE 10" SCH80 WPB

WELD TEE 160 / XXH

<u>Line Abbrev</u>	<u>Part Number</u>	MAS-Pro Oilfield Supply <u>DESCRIPTION</u>
FTG	T2SCH160	TEE 2" SCH160 WPB
FTG	T2XXH	TEE 2" XXH WPB
FTG	T3XXHW	TEE 3" XXH WELD
FTG	T5XXHW	TEE 5" XXH WELD

MAS-Pro Oilfield Supply, Division of 1223492 Alberta LTD.
 Red Deer - 4841-78st, T4P 1S9, 403-341-5959
 GP/Clairmont - #101, 6902-98st, T8X 5A1, 780-832-9899
 Website : www.mas-prosupply.com

SPECIALITY FITTINGS

<u>Line Abbrev</u>	<u>Part Number</u>	<u>MAS-Pro Oilfield Supply DESCRIPTION</u>
FTG	200ALAL	2" 150# FLG X 2" MALE CL ADAPTER ALUMINUM
FTG	200ALSS	2" 150# FLG X 2" MALE CL ADAPTER SS
FTG	UA0108	3/4" X 2" ULTRA-KUT ANNULAR
FTG	FFL83	4" 150# FLEXFLO MODEL 83 SLEEVE
FTG	C4	4" CUSHION INLET
FTG	SFW35-24	BUTT WELD CODE 61
FTG	SFW35-20	BUTT WELD CODE 61#20
FTG	CR2150	CENTERING RING FOR 2" 150# METER RUN
FTG	CS-CG	CS-C (CROWN) SLIP GATE
FTG	CS-CGB	CS-C (CROWN) SLIP GATE BOLT/NUT
FTG	DPC	DRAIN PLUG CAP (BRASS)
FTG	GCA4	GRAYLOC CLAMP ASSEMBLY 4" #49503WB
STL	GH4XXH	GRAYLOC HUB 4 XXH A105 #52314D
FTG	GH4XXH	GRAYLOC HUB 4" XXH A105 #52314D
FTG	GL6	GRUVLOCK CLAMP 6"
FTG	GLIP	GRUVLOCK FIG 7074 114.3MM VICTAULIC CAP FOR A 4 BOI
FTG	PC245E	PIPE CLADDING 2" 45 ELBOW
FTG	PC290E	PIPE CLADDING 2" 90 ELBOW
FTG	PC4150IJT	PLATE CARRIER 4" 150#IJ TEFLON
FTG	PPLUG2	POLY PLUG 2"
FTG	RV4X250	REDUCER VICTAULIC 4" X 2" #50
FTG	S9SS24MO24XMJ24	SWIVEL#9 SS 24 MO 24XMJ 24
FTG	TXB1/4	THREAD X BARB 1/4" BRASS
FTG	DLW3	WELD-ON D-LINK 3"
FTG	DLW3X3/4	WELD-ON D-LINK 3" X 3/4" #B46
FTG	DLW3X5/8	WELD-ON D-LINK 3" X 5/8" #B40
FTG	W6STD	WYE 6 STD

MAS-Pro Oilfield Supply, Division of 1223492 Alberta LTD.
Red Deer - 4841-78st, T4P 15N, 403-341-5959
GP/Clairmont - #101, 6902-98st, T8X 5A1, 780-832-9899
Website : www.mas-prosupply.com